



SCV VALVE
Innovative Valve Solutions®



[281] 482-4728 • www.scvvalve.com



Piston Check Valves - API 6D

Class: 150 - 2500

Sizes: 2" - 24"





SCV VALVE



SCV VALVE manufactures a premium array of check valves. Our products are manufactured and tested in accordance with respective API, ASME, and ANSI standards.



SCV Piston Check Valves are quiet operating valves that effectively prevent backflow. The "flapperless" design is gentle on the seat as the piston rises and lowers with increased and decreased flow rates.



The SCV designs offers many features and options beneficial for oil, liquid gas, and liquid applications.



Innovative Valve Solutions.®

SCV Piston & Dual Plate Check Valves

[Product Preview]

For more information call us @ [281] 482-4728 or visit our website @ www.scvvalve.com

Piston Check Valves - API 6D

- Basic Design: API 6D
- Wall Thickness: API 6D
- Face-to-Face: As stated
- Flange End Dimensions: ANSI/ASME 16.5
- Butt-Weld End Dimensions: ANSI/ASME B16.25
- Inspection & Testing: API 6D

Note: Not recommended for throttling applications.

Note: SCV reserves the right to change any technical design and dimensional data without prior notice. Please contact SCV to confirm all Dimensions and Data offered in this catalog.





SCV VALVE

SCV Valve's product lines include commodity valves as well as specialty valves in all sizes, pressure classes & metallurgy; including carbon steel, stainless steel & exotic alloys. The valve types include:

- Thru Conduit Gates - Slab & Expanding Gate Designs
- 3-Piece Trunnion Mounted Balls
- Floating Balls
- Wedge Gates
- Globes
- Full Port Swing Checks
- Piston Checks
- Dual Plate Checks - Wafer & Lug Designs
- Pressure Balanced Lubricated Plugs

SCV Valve's high quality standards demand 100% pressure testing of every valve to insure its reliability and full customer satisfaction. We pride ourselves with high quality products, timely deliveries, and competitive prices.

Company History

The SCV valve brand was established in 1972. The primary focus of the Company was to provide full inline field service for valve maintenance as well as in house valve modifications. While serving the Power Industry, Paper & Pulp, Oil & Gas, and the Petro Chemical Industry; through years of dedication and commitment to quality and service, SCV had become one of the largest full range, field service companies, with a reputation for superior quality.

In the mid 1970s, the SCV brand entered the valve manufacturing industry, primarily serving the Power Industry. Since that time, the SCV brand has expanded its products to cover a broad range of valves. SCV Valve holds the API 6A & API 6D Monogram, API Q1 Quality Management System, and ASME "R" stamp. The manufacturing facility, sales and projects office is located in Santa Fe, Texas.

Mission Statement

SCV Valve is committed to consistently providing products that meet or exceed customer and regulatory specifications. SCV Valve aims to enhance customer satisfaction through implementing the highest levels of quality standards while assuring full conformity to those requirements.

Table of Contents

	Page
Table of Contents.....	1
Complete Product Line.....	2
Certifications.....	3
· American Petroleum Institute (API)	
· ISO 9001:2008	
· Canadian Registration Numbers	
· CE PED	
Figure Number Chart	4 & 5
Valve ID Tag & Valve Markings Identification.....	6
PISTON CHECK VALVES - API 6D.....	7
Piston Check Valve Expanded View & Bill of Materials	8
Piston Check Valves Dimensions.....	9, 10 & 11
Liquid: Pressure Loss Curves for Trunnion Ball Valves	12
Gas: Pressure Loss Curves for Trunnion Ball Valves	12
Seal & Seat Pressure Temperature Chart.....	13
Flange Dimensions	14 & 15
Butt-welding Dimensions	16 & 17
Terms & Conditions	19

Complete Product Line

Call SCV Valve today @ (281) 482-4728 for all your valve needs or visit us on the web @ www.scvvalve.com.

THRU CONDUIT GATES - SLAB & EXPANDING

Design: API 6D
Sizes: 2" - 42"
Class: 150 - 1500
Standard stock.

Design: API 6A
Sizes: 9", 11" & 13-5/8"
Pressure: 2000, 3000, 5000
Limited inventory availability.
All sizes and pressure classes made to order.



PISTON CHECKS

Design: API 6D
Sizes: 2" - 24"
Class: 150 - 2500
Standard stock.



GLOBES

Design: API 623
Sizes: 2" - 24"
Class: 150 - 2500

Limited inventory availability.
All sizes and pressure classes made to order.



3-PIECE TRUNNION BALLS

Design: API 6D
Sizes: 2" - 42"
Class: 150 - 2500
Standard stock.

Bore Coating: Scotchkote™ 134

Design: API 6A
Sizes: 2-1/16" - 7-1/6"
Pressure: 2000, 3000, 5000
Limited inventory availability.
All sizes and pressure classes made to order.



FULL PORT SWING CHECKS

Design: API 6D
Sizes: 2" - 36"
Class: 150 - 2500
Standard stock.



Exterior Coating: Epoxy

WEDGE GATES

Design: API 600
Sizes: 2" - 48"
Class: 150 - 2500

Limited inventory availability. All sizes and pressure classes made to order.



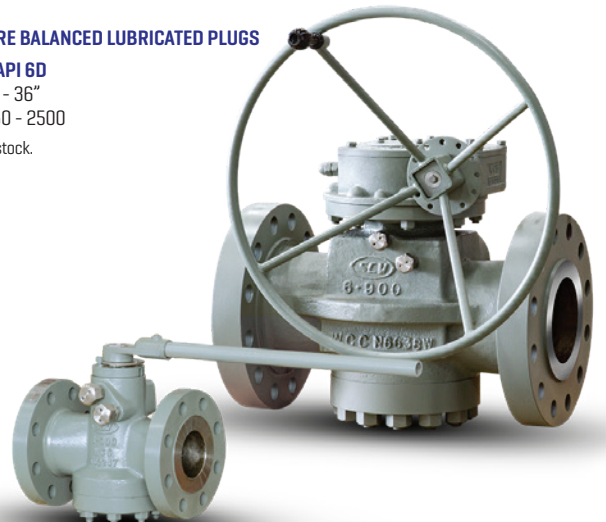
FLOATING BALL VALVES

Design: B16.34
Sizes: 1/2" - 12"
Class: 150 - 1500
Standard stock.



PRESSURE BALANCED LUBRICATED PLUGS

Design: API 6D
Sizes: 2" - 36"
Class: 150 - 2500
Standard stock.



Certifications & Registrations

American Petroleum Institute (API)

API 6A Certification



Note: Extension letter available on our website.

API 6D Certification



Note: Extension letter available on our website.

ISO 9001:2015 Certificate



CE PED Certificate



Canadian Registration Number

- Alberta
- OC07063.2
- New Brunswick
- OC07063.27
- Northwest Territory
- OC07063.25
- Nunavut
- OC07063.2N
- Ontario
- OC07063.25
- Yukon
- OC07063.2
- British Columbia
- OC07063.21
- New Foundland & Labrador
- OC07063.20
- Novascotia
- OC07063.27
- Manitoba
- OC07063.24
- Prince Edward Island
- OC07063.29

SCV Figure Number Chart

Note: SCV Figure Chart is subject to change without notice.

1

2

3

4

5

6

7

8

Valve Type	Bore Size	Class	Body/Bonnet Conf.	Body Material	Obturator Material	Ends	Operator
BAL = Trunnion Ball Valve	50 = 1/2"	01 = 150	B = Bolted	02 = A352 LCC	01 = A352 LLC + 410	A = RF x WE	/ = N/A
CEG = Compact Expanding Gate Valve	75 = 3/4"	03 = 300	L = Lug Style	06 = A351 CF8M	02 = A352 LCC + ENP	B = RTJ x WE	B = Bare Stem
DCK = Dual Plate Check Valve	01 = 1"	04 = 400	P = Pressure Seal	08 = A216 WCC	06 = A216 WCC + ENP	D = RF x RTJ	D = Dual Acting Actuator
EPG = Expanding Gate Valve	15 = 1-1/2"	06 = 600	S = Seal Weld	10 = A216 WCB	09 = A351 CF8M	E = RTJ x RF	E = Electric Actuator
FBV = Floating Ball Valve	02 = 2"	09 = 900	T = Top Entry	11 = A352 LCB	10 = A216 + CR13	J = RTJ	G = Gear
FCK = Full Port Swing Check Valve	21 = 2-1/16"	15 = 1500	U = Union	12 = A350 LF2	11 = CR13 HF	K = WE x RF	H = Handwheel
GAT = Wedge Gate Valve	25 = 2-1/2"	20 = 2000		13 = A105	12 = A105 + CR13	L = WE x RTJ	I = Linear Actuator
GLB = Globe Valve	27 = 2-9/16"	25 = 2500		16 = A217 WCB	13 = A105 + ENP	R = RF	L = Lever
PCK = Piston Check Valve	03 = 3"	30 = 3000		30 = A29 4130	14 = A694 Gr. F60 + ENP	W = WE	
PLG = Lubricated Plug Valve	31 = 3-1/8"	50 = 5000		36 = A182 316	15 = A350 LF2 + ENP		
PSG = Parallel Slide Gate Valve	37 = 3-9/16"	10 = 10000		51 = A182 F51 Duplex	16 = A216 WCC + 316		
RSB = Rising Stem Ball Valve	04 = 4"			55 = A182 F55 Duplex	17 = 17-4 PH		
SCK = Conv. Port Swing Check Valve	41 = 4-1/16"			60 = A216 WCC + Inconel 625	20 = A216 WCB + Ni65		
TCG = Slab Gate Valve	05 = 5"			87 = A487 4C	23 = A182 316L + Stellite 21		
	51 = 5-1/8"			88 = A890-4A	34 = A182 304		
	06 = 6"				35 = A182 316 HF		
	71 = 7-1/16"				36 = A182 316		
	08 = 8"				41 = A182 F6A Class 2		
	09 = 9"				42 = A182 F6A + Nitride		
	10 = 10"				51 = A182 F51 Duplex		
	23 = 10-3/8"				52 = A351 CF8M + Stellite 6		
	11 = 11"				54 = A182 F51 Duplex + CoCr-A		
	12 = 12"				59 = A352 LCC + Stellite 6		
	19 = 12-3/8"				60 = A105 + HF		
	13 = 13-5/8"				61 = A105 + Nitride + Stellite 6		
	14 = 14"				62 = A105 + Inconel 625		
	16 = 16"				69 = A350 LF2 + Tungsten Carbide		
	17 = 16-3/4"				73 = A182 410 + Tungsten Carbide		
	18 = 18"				81 = A350 LF2 + Nitride + HF		
	20 = 20"				85 = A743 CA15 + Nitride		
	22 = 22"				88 = A890-4A		
	24 = 24"				96 = A216 WCB + CR13		
	26 = 26"						
	28 = 28"						
	30 = 30"						
	32 = 32"						
	34 = 34"						
	36 = 36"						
	38 = 38"						
	40 = 40"						
	42 = 42"						
	48 = 48"						
	52 = 52"						
	56 = 56"						
	60 = 60"						

9

10

11

12

13

14

15

Bore Type	Seal Material	Seat Material	Seat Insert/Overlay Material	Stem Material	Packing Material	Service
F = Full Port	A = Aflas	/ = N/A	B = Nickel Boron	/ = N/A	/ = N/A	A = Stem Extension
R = Reduced Port	B = Buna	08 = A216 WCB	D = Devlon	A = A350 LF2 + ENP	B = Braided Graphoil	C = Cryogenic
C = Conventional	E = EPDM	09 = A351 CF8M	F = PTFE	B = A105 + ENP	G = Graphite	D = *DPE x DPE
T = Regular Pattern	F = Fluorosilicone	11 = CR13 HF	G = RTFE - Glass filled	C = A182 F6a Class 2	T = Teflon	E = External Coating
U = Short Pattern	G = Graphite	13 = A105 + ENP	H = Hard Face (Stellite 6)	D = 17-4 PH	V = Viton Duck	F = Dampener
V = Venturi Pattern	H = HNBR	14 = A105 + HF	K = PCTFE	F = A182 F316		G = Geothermal
	K = Kalrez	15 = A350 LF2 + ENP	N = Nylon	G = A182 F51 Duplex		H = High Temperature
	L = Lip Seal	16 = A350 LF2 + HF	P = Peek	H = A182 F56 Duplex		I = Internal Coating
	N = Neoprene	17 = 17-4 PH	R = RTFE - Carbon Filled	I = Inconel 625		J = **SPE x DPE
	P = Polyuerethane	30 = A29 4130	T = Tungsten Carbide	J = 17-4 + QPQ		L = Lock Open Device
	R = NBR	32 = A182 316L + HF	V = Viton			P = Pipe Pups
	S = Silicone	35 = A182 316/HF	3 = 316			S = Standard Service
	T = Teflon	36 = A182 316	W = UHMWE			X = Special
	U = Floursint	41 = A182 F6a Class 2				
	V = Viton	42 = A182 F6a Class 2 + HF				
	3 = 304 Ring	51 = F51 Duplex				
	4 = 304 / Graphite	52 = A182 F51 Duplex + HF				
	5 = 316 Ring	54 = A182 F51 Duplex + CoCr-A				
	6 = 316 / Graphite	55 = F55 Duplex				
	7 = Soft Iron Ring	91 = A105/HF				

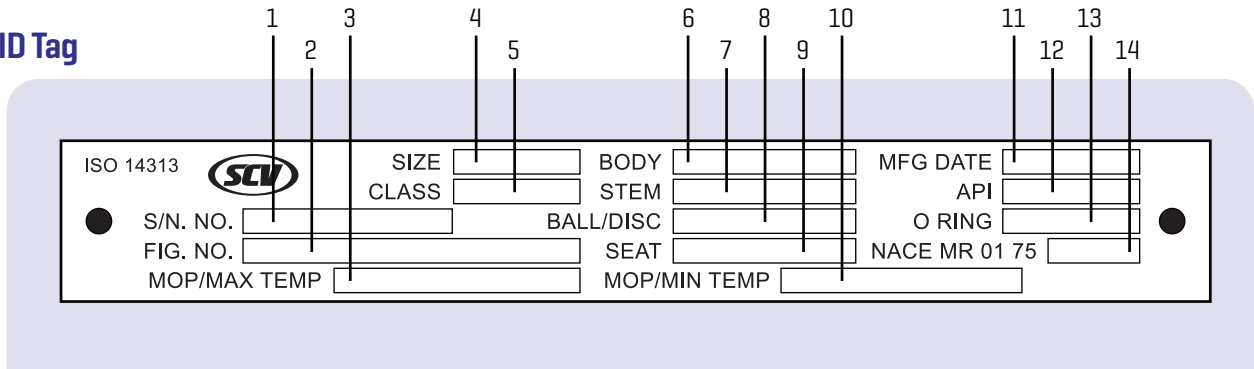
Sample Figure Numbers & Descriptions

	Figure No. Chart Column	1	2	3	4	5	6	7	8	9	10	11	12	13	14	15	
	Pressure Classes	Type	Size	Class	Body Conf.	Body	Obturator	End	Oper	Bore Type	Seal	Seat,base	Seat/Insert	Stem	Packing	Service	
TRUNNION BALL	150, 300, 600	BAL	12	06	B	12	15	R	G	F	H	15	D	A	/	S	
	12" 600 Trunnion Ball Valve, Bolted A350 LF2 Body, LF2 + ENP Obturator, RF Ends, Gear Operated, Full Bore, HNBR AED Seals, A350 LF2 + ENP Seat Base Material, Devlon Seat Inserts, A350 LF2 + ENP Stem, Standard Service, API 6D Design and Test, NACE MR-01-75 Compliant																
	900, 1500, 2500	BAL	12	15	B	12	41	J	G	F	H	41	D	C	/	S	
12" 1500 Trunnion Ball Valve, Bolted Configuration, A350 LF2 Body, A182 F6a Class 2 Obturator, RTJ Ends, Gear Operated, Full Bore, HNBR AED Seals, A182 F6a Class 2 Seat Base Material, Devlon Seat Inserts, A182 F6a Class 2 Stem, Standard Service, API 6D Design and Test, NACE MR-01-75 Compliant																	
FLOATING BALL	ALL	FBV	12	01	B	10	36	R	L	F	3	36	R	F	/	S	
	12" 150 Floating Ball Valve, Bolted Configuration, A216 WCB Body, A182 F316 Obturator, RF Ends, Lever Operated, Full Bore, A182 F316 Seat Base Material, Devlon Seat Inserts, A182 F316 Stem, Standard Service, API 608 Design, API 598 Test, NACE MR-01-75 Compliant																
DUAL PLATE WAFER CHECK	ALL	DCK	12	06	W	10	09	R	/	C	/	08	H	/	/	S	
	12" 600 Dual Plate Check Valve, Wafer Configuration, A216 WCB Body, A351 CF8M Obturator, RF Ends, Conventional Bore, A216 WCB Seat Base Material, Hardface Seat Overlay, Standard Service, API 594 Design, API 598 Test, NACE MR-01-75 Compliant																
SLAB GATE	ALL	TCG	12	06	B	08	13	R	B	F	V	13	R	D	V	S	
	12" 600 Thru Conduit Slab Gate Valve, Bolted A216 WCC Body, A105 + ENP Obturator, RF Ends, Bare Stem, Full Bore, Viton AED Seals, A105 + ENP Seat Base Material, RTFE Seat Inserts, 17-4 PH Stem, Viton Duck Packing, Standard Service, API 6D Design and Test, NACE MR-01-75 Compliant																
EXPANDING GATE	ALL	EPG	12	06	B	08	06	R	B	F	V	13	R	D	V	S	
	12" 600 Thru Conduit Expanding Gate Valve, Bolted A216 WCC Body, A216 WCC + ENP Obturator, RF Ends, Bare Stem, Full Bore, Viton AED Seals, A105 + ENP Seat Base Material, RTFE Seat Inserts, 17-4 PH Stem, Viton Duck Packing, Standard Service, API 6D Design and Test, NACE MR-01-75 Compliant																
FULL PORT SWING CHECK	ALL	FCK	12	06	B	08	16	R	/	F	V	11	V	/	/	S	
	12" 600 Full Port Swing Check Valve, Bolted A216 WCC Body, A216 WCC + 316 Obturator, RF Ends, Full Bore, Viton AED Seals, CR13 HF Seat Base Material, Viton Seat Inserts, Standard Service, API 6D Design and Test, NACE MR-01-75 Compliant																
PISTON CHECK	150, 300, 600, 900	PCK	12	06	B	08	61	R	/	C	V	14	H	/	/	S	
	12" 600 Piston Check Valve, Bolted A216 WCC Body, A105 + Nitride + HF Obturator, RF Ends, Conventional Bore, Viton AED Seals, A105 Seat Base Material, Hardface Seat Overlay, Standard Service, API 6D Design and Test, NACE MR-01-75 Compliant																
	1500, 2500	PCK	12	15	B	08	61	R	/	C	V	41	H	/	/	S	
12" 1500 Piston Check Valve, Bolted A216 WCC Body, A105 + Nitride + HF Obturator, RF Ends, Conventional Bore, Viton AED Seals, A182 F6a Class 2 Seat Base Material, Hardface Seat Overlay, Standard Service, API 6D Design and Test, NACE MR-01-75 Compliant																	
LUBRICATED PLUG	ALL	PLG	12	06	B	10	84	R	L	C	V	/	/	/	G	S	
	12" 600 Lubricated Plug Valve, Bolted A216 WCC Body, A743 CA15 Obturator, RF Ends, Lever Operated, Conventional Bore, Viton AED Seals, Standard Service, API 6D Design and Test, NACE MR-01-75 Compliant																
WEDGE GATE	ALL	GAT	12	06	B	10	7	R	H	C	4	14	H	C	G	S	
	12" 600 Wedge Gate Valve, Bolted A216 WCC Body, A216 WCC + Hardface Obturator, RF Ends, Handwheel Operated, Conventional Bore, 304 + Graphite Gasket, A105 Seat Base Material, Hardface Seat Overlay, A182 F6a Class 2 Stem, Graphite Packing, Standard Service, API 600 Design, API 598 Test, NACE MR-01-75 Compliant																
GLOBE	ALL	GLB	12	06	B	10	60	R	H	C	4	14	H	C	G	S	
	12" 600 Globe Valve, Bolted A216 WCC Body, A105 + Hardface Obturator, RF Ends, Handwheel Operated, Conventional Bore, 304 + Graphite Gasket, A105 Seat Base Material, Hardface Seat Overlay, A182 F6a Class 2 Stem, Graphite Packing, Standard Service, API 623 Design, API 598 Test, NACE MR-01-75 Compliant																

Note: Subject to change without notice.
Control #: MSF 3.5-16 rev 17

Valve ID Tag & Valve Markings Identification

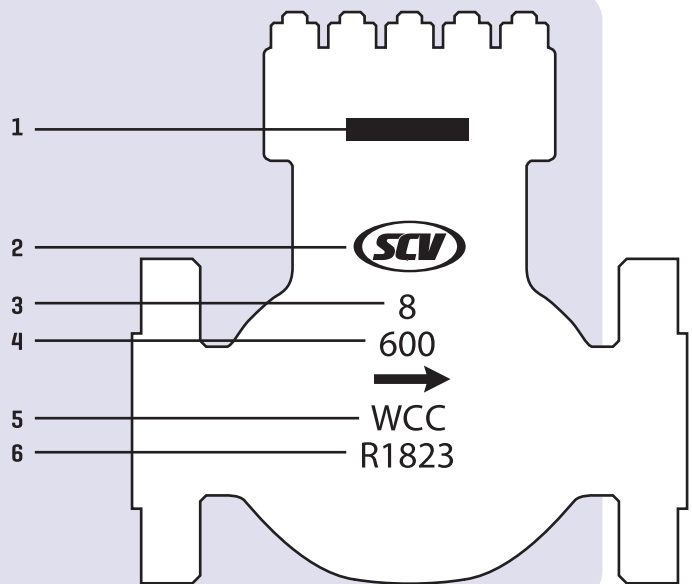
Valve ID Tag



No.	Figure Number Code	Description
1	Serial Number	Identifies certified manufacturers serial number
2	Figure Number	Identifies the detailed valve configuration (valve type, bore size, pressure class, materials, etc.)
3	MOP/Max. Temp.	Identifies the maximum operating pressure in PSI and maximum operating temperature in Fahrenheit
4	Size	Identifies bore size
5	Pressure Class	Identifies pressure classifications per API requirements
6	Body Material	Identifies body metal material composition (A105, WCB, F51, CF8M, etc.)
7	Stem Material	Identifies stem material composition (A105, 410SS, 17-4pH, etc.)
8	Ball/Disc Material	Identifies ball/disc material composition (A105, 316SS, ENP, etc.)
9	Seat Material	Identifies seat material composition (PEEK, Teflon, Nylon, etc.)
10	MOP/Min. Temp.	Identifies the maximum operating pressure in PSI and minimum operating temperature in Fahrenheit
11	Manufacturing Date	Identifies the date the valve manufacturing completion date
12	API Conformance	Identifies API conformance (600, 6D, 6A, etc.)
13	O Ring	Identifies the O Ring material composition (Viton, Viton GLT, etc.)
14	NACE MR 01 75	Identifies corrosion resistance

Valve Markings

No.	Valve ID Components
1	Tag
2	Brand
3	Size
4	Pressure Class
5	Body Material
6	Heat Number





SCV VALVE

Piston Check Valves - API 6D

Class: 150 - 2500/Sizes: 2" - 24"

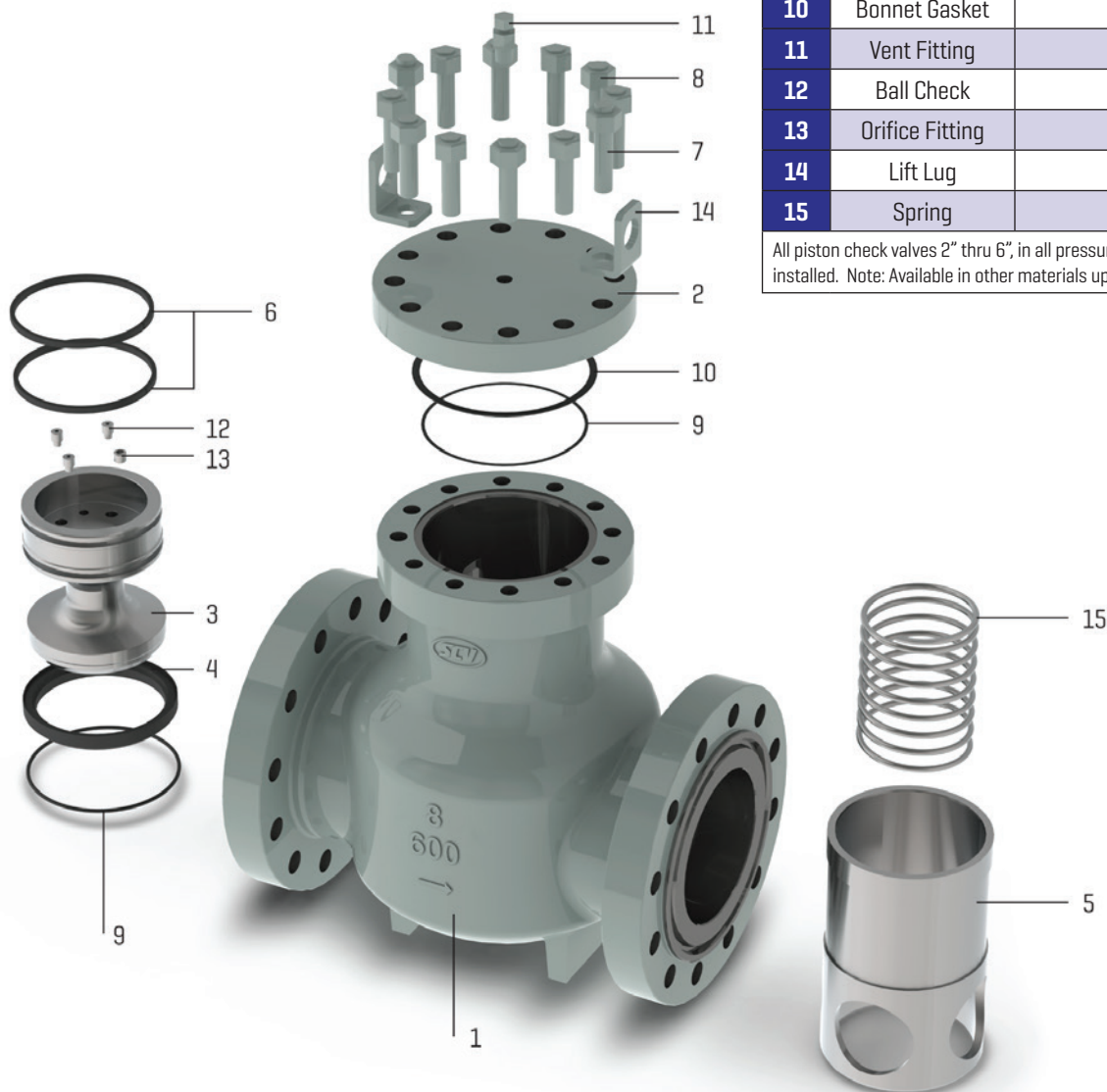


Design and Manufacturing Standards	
Basic Design	API 6D
Shell Wall Thickness	ANSI/ASME B16.34
Face to Face Dimension	As stated
Flange End Dimension	ANSI/ASME B16.5
Butt-Weld End Dimension	ANSI/ASME B16.25
Inspection & Testing	API 6D



Piston Check Valve

[Expanded View & Bill of Materials]

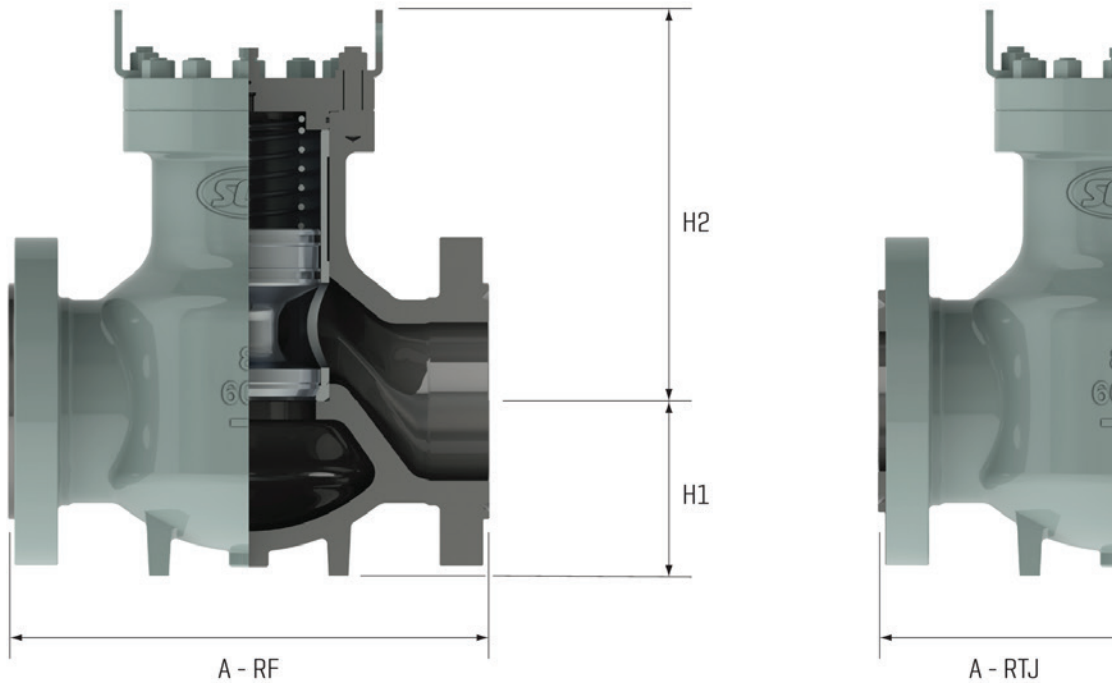


No.	Part	WCC
1	Body	A216 WCC
2	Bonnet	A105
3	Piston	A105+NI-TRID+ST. 6
4	Seat	A105+St. 6
5	Cage	A105+ENP
6	Piston Ring	PEEK/Glass Filled
7	Stud	A193 B7M
8	Heavy Hex Nut	A193 2HM
9	O-ring	Viton AED
10	Bonnet Gasket	SS/Graphite
11	Vent Fitting	316 SS
12	Ball Check	316 SS
13	Orifice Fitting	316 SS
14	Lift Lug	Steel
15	Spring	X-750

All piston check valves 2" thru 6", in all pressures, comes standard with a X-750 spring installed. Note: Available in other materials upon request.

Piston Check Valve Dimensions

Size: 2" - 36"
 Class: 150 - 2500



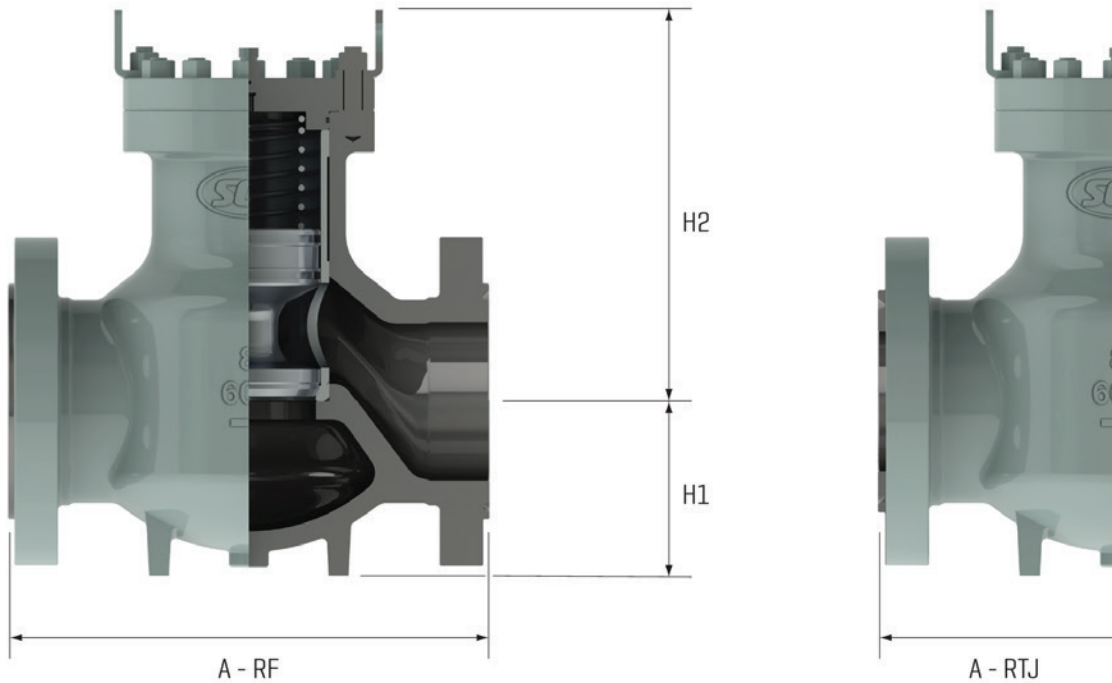
Note: Butt Weld configuration is available upon request.

CLASS 150	SIZE	NPS	2	3	4	6	8	10	12	14	16	18	20	24
		DN	50	80	100	150	200	250	300	350	400	450	500	600
	A - RF	IN	8.0	9.5	11.5	16	19.5	24.5	27.5	31	36	38.5	38.5	51
		MM	203	241	292	406	495	622	699	787	914	978	978	1295
	H1	IN	3.25	4.875	5	6.75	9.25	11.75	13.25	14.875	17	/	/	/
		MM	83	124	127	171	235	298	337	378	432	/	/	/
	H2	IN	7.0	8.35	10.23	14.56	17.83	22.48	25.51	27.25	30.125	/	/	/
		MM	178	212	260	370	451	571	648	692	765	/	/	/
	WGT (RF)	LB	64	124	201	332	610	1040	1328	2010	2480	/	/	/
		KG	29	56	91	151	277	472	602	912	1125	/	/	/

CLASS 300	SIZE	NPS	2	3	4	6	8	10	12	14	16
		DN	50	80	100	150	200	250	300	350	400
	A - RF	IN	10.25	14.75	17.625	19.375	22.5	29.625	32	35.25	39.125
		MM	260	375	448	492	572	752	813	895	994
	H1	IN	3.25	4.875	5	6.75	9.25	11.75	13.25	14.875	17
		MM	83	124	127	171	235	298	337	378	432
	H2	IN	8.5	10.25	12.5	17.5	20.125	23.75	24.375	27.25	30.125
		MM	216	260	318	445	511	603	619	692	765
	WGT (RF)	LB	80	155	250	415	750	1300	1660	2500	3100
		KG	36	70	114	187	341	591	755	1136	1409

Piston Check Valve Dimensions

Size: 2" - 36"
Class: 150 - 2500



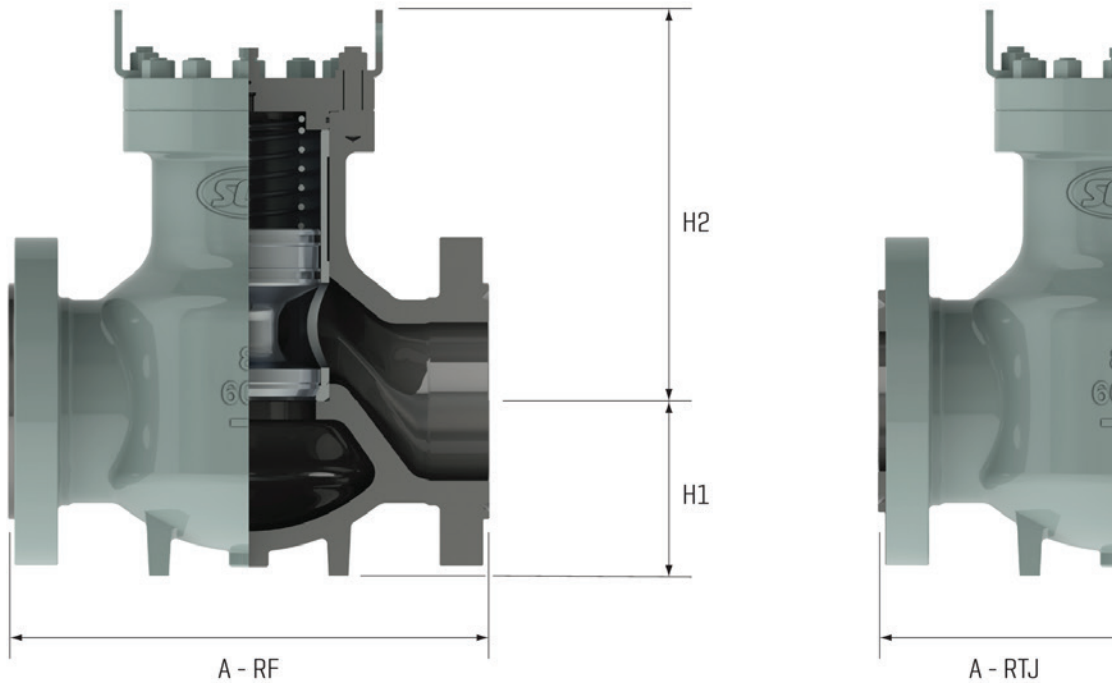
Note: Butt Weld configuration is available upon request.

CLASS 600	SIZE	NPS	2	3	4	6	8	10	12	14	16	20	24
		DN	50	80	100	150	200	250	300	350	400	500	600
	A - RF	IN	11	14.75	18.5	20.75	24	30.88	33.625	37	41.25	55.5	60
		MM	279	375	470	527	610	784	854	940	1048	1410	1524
	A - RTJ	IN	11.375	14.875	18.625	20.875	24.125	31	33.75	37.125	41.375	55.75	60.125
		MM	283	378	461	530	613	787	857	943	1051	1413	1527
	H1	IN	3.25	5.25	5.375	7	9.25	11.75	13.125	14.875	17	20.875	22.125
		MM	83	133	137	178	235	298	333	378	432	530	561
	H2	IN	8.5	10.25	12.125	18	20.25	24.25	25.125	28.125	31.25	35.25	38.78
		MM	216	260	308	457	514	616	638	714	794	895	985
WGT [RF]	LB	71	136	215	485	782	1291	1880	2391	3788	5871	8507	
	KG	32	62	98	220	355	586	853	1084	1718	2663	3858	

CLASS 900	SIZE	NPS	3	4	6	8	10	12
		DN	80	100	150	200	250	300
	A - RF	IN	14.875	19.375	21.875	24.875	31.375	33.875
		MM	378	492	556	632	797	860
	A - RTJ	IN	15	19.5	22	25	31.5	33.125
		MM	381	495	559	635	800	857
	H1	IN	5.25	5.375	7	9.25	11.75	13.125
		MM	133	137	178	235	298	333
	H2	IN	10.25	12.125	18	20.25	24.25	25.125
		MM	260	308	457	514	616	638
WGT [RF]	LB	159	285	590	948	1655	2301	
	KG	72	129	268	430	751	1044	

Piston Check Valve Dimensions

Size: 2" - 36"
Class: 150 - 2500

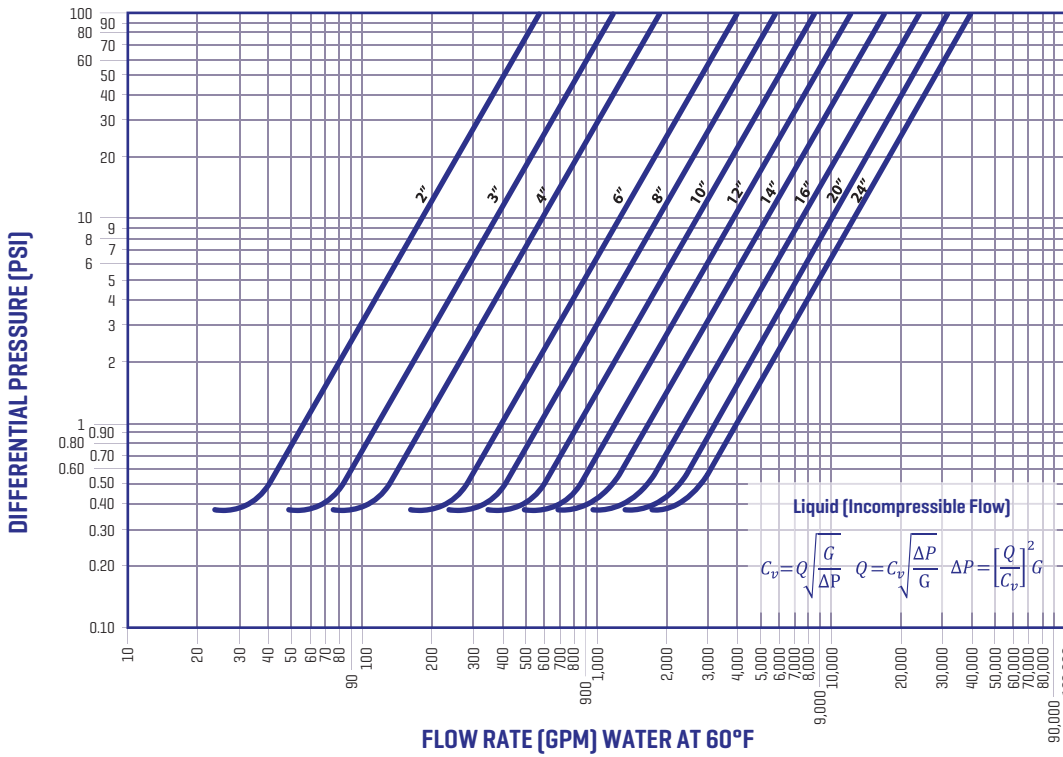


Note: Butt Weld configuration is available upon request.

CLASS 1500	SIZE	NPS	2	3	4	6	8	10	12
		DN	50	80	100	150	200	250	300
	A - RF	IN	13.625	17.25	20.25	24	32.375	34.375	41
		MM	346	438	514	610	822	873	1041
	A - RTJ	IN	13.75	17.325	20.375	24.25	32.75	35	41.675
		MM	349	440	518	616	832	889	1059
	H1	IN	3.25	5.25	5.375	7	9.25	11.75	13.125
		MM	83	133	137	178	235	298	333
	H2	IN	8.5	10.25	12.125	18	20.25	24.25	25.125
		MM	216	260	308	457	514	616	638
WGT [RF]	LB	111	207	362	803	1320	2183	2301	
	KG	50	94	164	364	599	990	1044	

CLASS 2500	SIZE	NPS	2	3	4	6	8
		DN	50	80	100	150	200
	A - RF	IN	14.875	20.25	23.125	32	37.375
		MM	378	512	587	813	949
	A - RTJ	IN	15	20.5	23.5	32.5	38
		MM	381	521	597	826	965
	H1	IN	3.25	5.25	5.375	7	9.25
		MM	83	133	137	178	235
	H2	IN	8.5	10.25	12.125	18	20.25
		MM	216	260	308	457	514
WGT [RF]	LB	151	320	513	1327	2068	
	KG	68	145	233	602	938	

Liquid: Pressure Loss Curves for Piston Check Valves



Flow Coefficient for Fully Open Valves

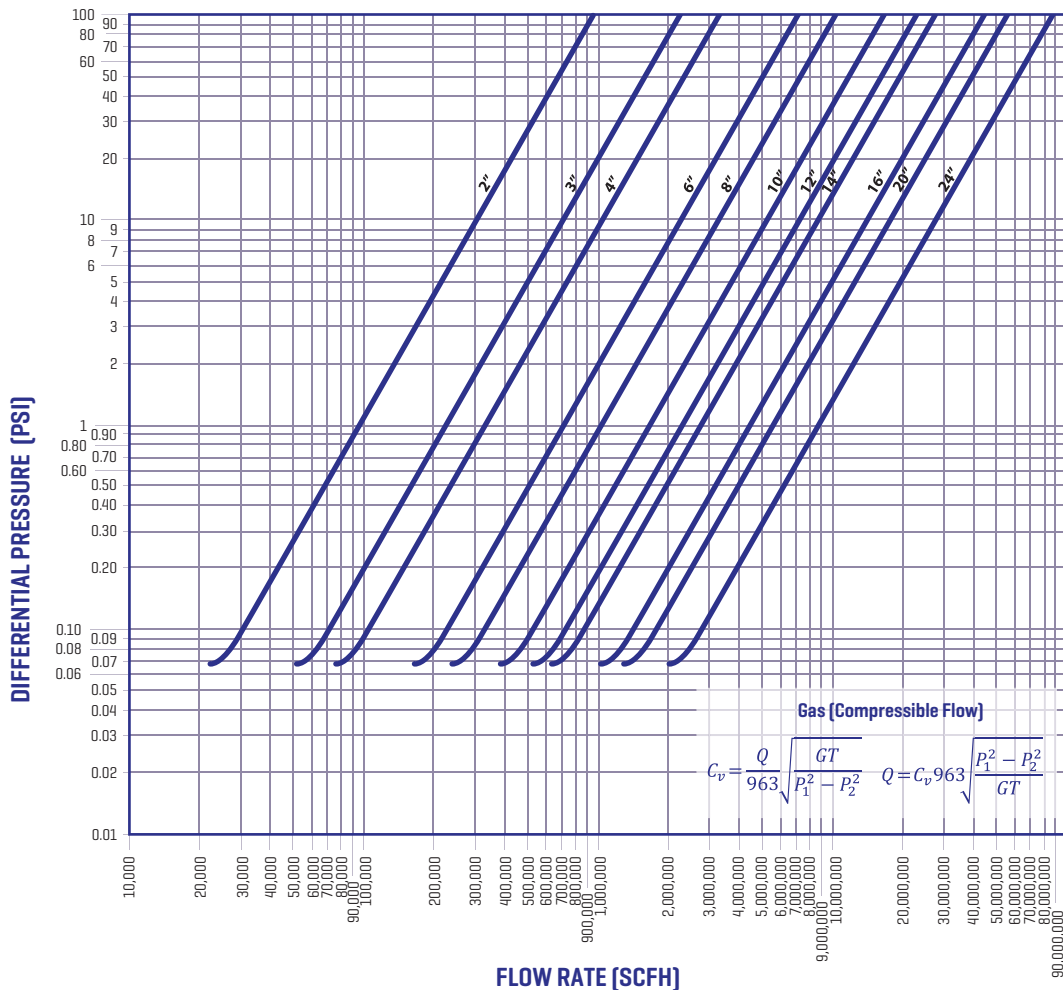
2	59
3	125
4	193
6	400
8	587
10	868
12	1,196
14	1,604
16	2,193
20	3,114
24	4,082

The equations listed are the basis for the above graph. The formulas can be used to find the actual flow coefficient for a given condition of flow.

Glossary of Terms

Q	Flow Rate, Liquids - GPM
C _v	Flow Coefficient
P ₁	Inlet Pressure
P ₂	Outlet Pressure
ΔP	Pressure Drop [P ₁ - P ₂]
G	Specific Gravity [Water = 1]

Gas: Pressure Loss Curves for Piston Check Valves



Flow Coefficient for Fully Open Valves

2	45
3	99
4	150
6	327
8	479
10	757
12	1,025
14	1,250
16	2,001
20	2,689
24	4,090

The equations listed are the basis for the above graph. The formulas can be used to find the actual flow coefficient for a given condition of flow.

Glossary of Terms

Q	Flow Rate - (SCFH)
C _v	Flow Coefficient
P ₁	Inlet Pressure - (psi)
P ₂	Outlet Pressure - (psi)
ΔP	Pressure Drop [P ₁ - P ₂]
G	Specific Gravity [Dry Air = 1]
T	Temperature [°F+460]

Seal & Seat Pressure Temperature Chart

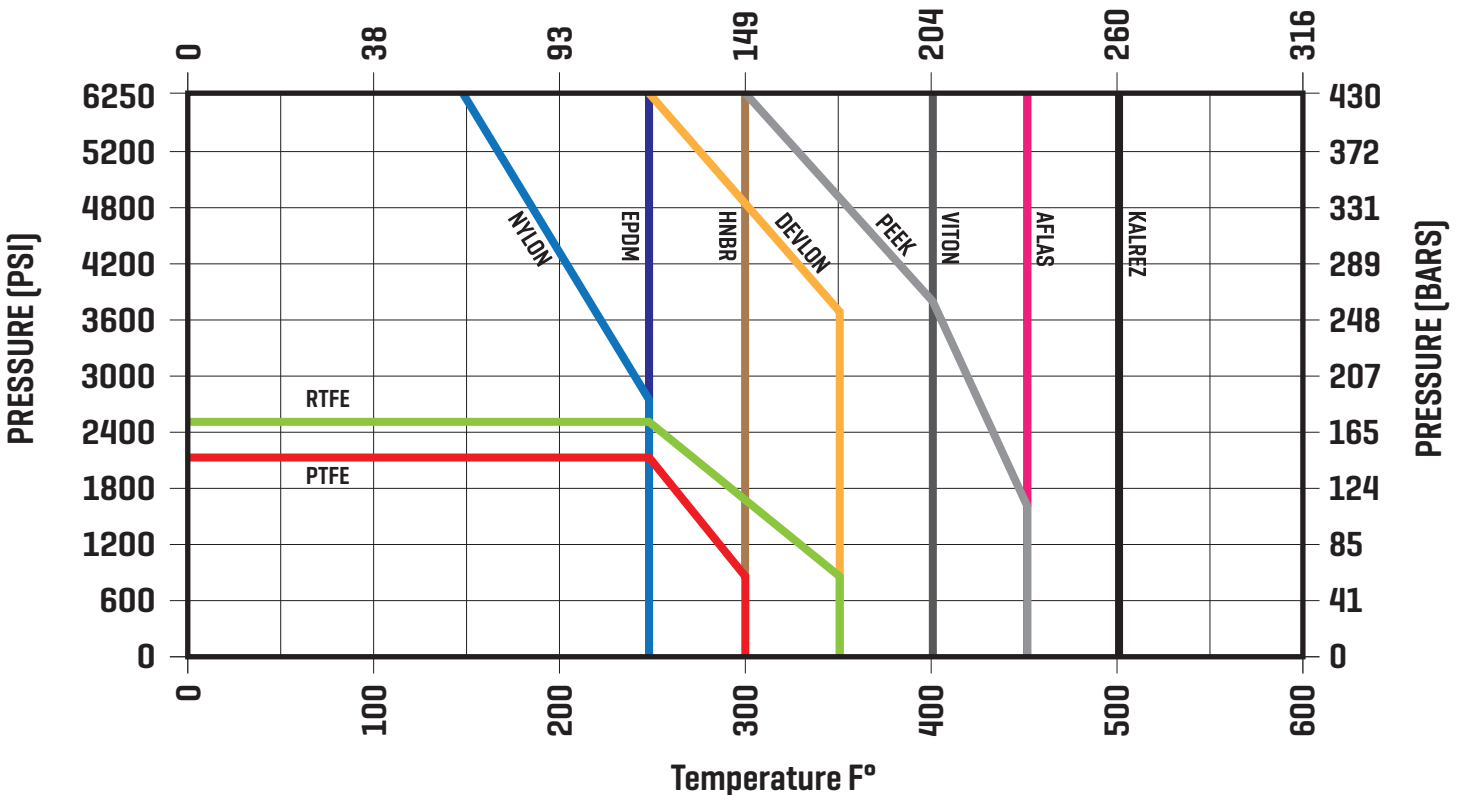
This chart depicts pressure and temperature ratings for common plastics and elastomers used in SCV Valve products.

SCV VALVE SOFT GOOD CHEMICAL COMPATIBILITY

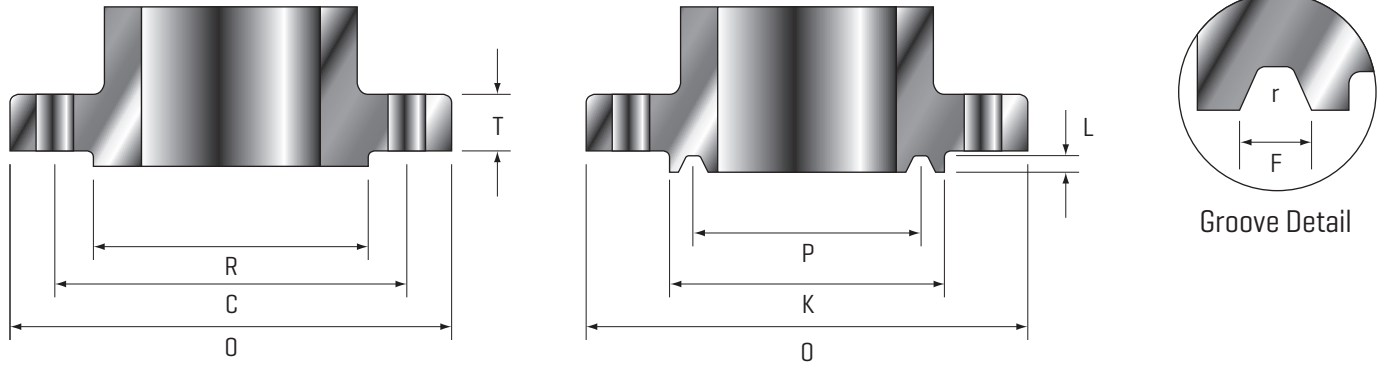
	SEAL MATERIAL			SEAT MATERIAL			
	Viton	HNBR	Kalrez	RTFE	Nylon	Devlon	PEEK
Amines	X	X	●	●	X	X	●
Ammonia	X	X	●	●	●	●	●
Butane	●	●	●	●	●	●	●
Carbon Dioxide	●	●	●	●	●	●	●
Crude Oil	●	●	●	●	●	●	●
Ethane	●	●	●	●	X	X	●
Ethylene	●	●	●	●	●	●	●
Glycol	●	●	●	●	●	X	●
Hydrocarbon	●	●	●	●	●	●	●
Hydrogen	●	●	●	●	●	●	●
Jet Fuel	*	*	●	●	X	X	●
Methane	●	●	●	●	●	●	●
Natural Gas	●	●	●	●	●	●	●
Nitrogen	●	●	●	●	●	●	●
Propane	●	●	●	●	●	●	●
Propylene	●	X	●	●	●	●	●

* Viton OK for JP-3/4/5/6/8/9/10. * HNBR OK for JP-3/4/5/6.

PRESSURE TEMPERATURE CHART

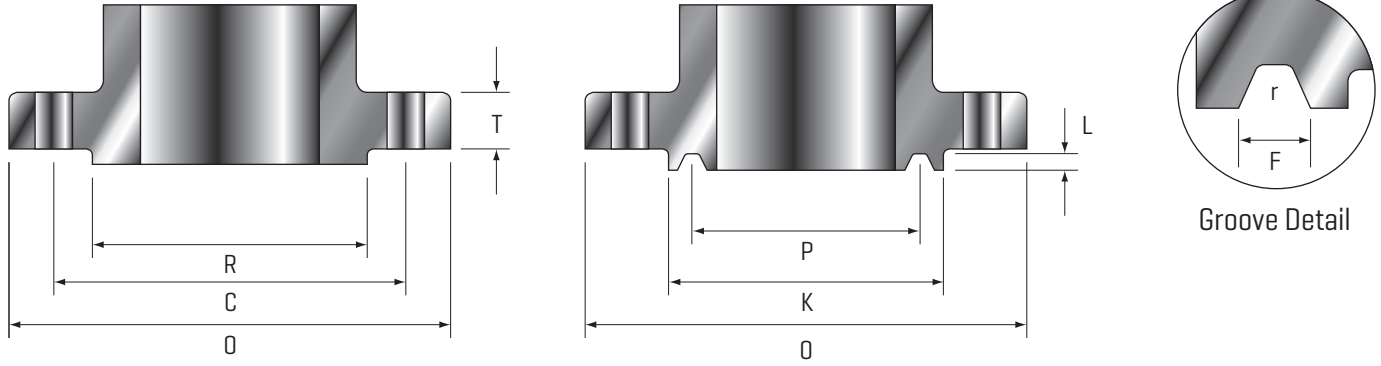


Flange Dimensions - ANSI B16.5 & B16.47



Class	Size	Flg. Dia.	Flg. Thick.	Raised Face Dia.	Drilling			Face Dia.	Ring Joint					
					Bolt Circle Dia.	# of Bolts	Hole Dia.		Pitch Dia.	Grv. Depth	Grv. Width	Btm. Radius	Ring No.	
					O	T	R	C	K	P	L	F		r
150	2	6.00	0.75	3.62	4.75	4	0.75	4.00	3.250	0.250	0.344	0.03	R22	
	2.5	7.00	0.88	4.12	5.50	4	0.75	4.75	4.000	0.250	0.344	0.03	R25	
	3	7.50	0.94	5.00	6.00	4	0.75	5.25	4.500	0.250	0.344	0.03	R29	
	4	9.00	0.94	6.19	7.50	8	0.75	6.75	5.875	0.250	0.344	0.03	R36	
	6	11.00	1.00	8.50	9.50	8	0.88	8.62	7.625	0.250	0.344	0.03	R43	
	8	13.50	1.12	10.62	11.75	8	0.88	10.75	9.750	0.250	0.344	0.03	R48	
	10	16.00	1.19	12.75	14.25	12	1.00	13.00	12.000	0.250	0.344	0.03	R52	
	12	19.00	1.25	15.00	17.00	12	1.00	16.00	15.000	0.250	0.344	0.03	R56	
	14	21.00	1.38	16.25	18.75	12	1.12	16.75	15.625	0.250	0.344	0.03	R59	
	16	23.50	1.44	18.50	21.25	16	1.12	19.00	17.875	0.250	0.344	0.03	R64	
	18	25.00	1.56	21.00	22.75	16	1.25	21.50	20.375	0.250	0.344	0.03	R68	
	20	27.50	1.69	23.00	25.00	20	1.25	23.50	22.000	0.250	0.344	0.03	R72	
	22	29.50	1.81	25.25	27.25	20	1.38	/	/	/	/	/	/	/
	24	32.00	1.88	27.25	29.50	20	1.38	28.00	26.500	0.250	0.344	0.03	R76	
	26	34.25	2.69	29.50	31.75	24	1.38	/	29.500	0.500	0.781	0.060	R93	
	28	36.50	2.81	31.50	34.00	28	1.38	/	31.500	0.500	0.781	0.060	R94	
30	38.75	2.94	33.75	36.00	28	1.38	/	33.750	0.500	0.781	0.060	R95		
32	41.75	3.19	36.00	38.50	28	1.62	/	36.000	0.562	0.906	0.060	R96		
34	43.75	3.25	38.00	40.50	32	1.62	/	38.000	0.562	0.906	0.060	R97		
36	46.00	3.56	40.25	42.75	32	1.62	/	40.250	0.562	0.906	0.060	R98		
300	2	6.50	0.88	3.62	5.00	8	0.75	4.25	3.250	0.312	0.469	0.03	R23	
	2.5	7.50	1.00	4.12	5.88	8	0.88	5.00	4.000	0.312	0.469	0.03	R26	
	3	8.25	1.12	5.00	6.62	8	0.88	5.75	4.875	0.312	0.469	0.03	R31	
	4	10.00	1.25	6.19	7.88	8	0.88	6.88	5.875	0.312	0.469	0.03	R37	
	6	12.50	1.44	8.50	10.62	12	0.88	9.50	8.312	0.312	0.469	0.03	R45	
	8	15.00	1.62	10.62	13.00	12	1.00	11.88	10.625	0.312	0.469	0.03	R49	
	10	17.50	1.88	12.75	15.25	16	1.12	14.00	12.750	0.312	0.469	0.03	R53	
	12	20.50	2.00	15.00	17.75	16	1.25	16.25	15.000	0.312	0.469	0.03	R57	
	14	23.00	2.12	16.25	20.25	20	1.25	18.00	16.500	0.312	0.469	0.03	R61	
	16	25.50	2.25	18.50	22.50	20	1.38	20.00	18.500	0.312	0.469	0.03	R65	
	18	28.00	2.38	21.00	24.75	24	1.38	22.62	21.000	0.312	0.469	0.03	R69	
	20	30.50	2.50	23.00	27.00	24	1.38	25.00	23.000	0.375	0.531	0.06	R73	
	22	33.00	2.62	25.25	29.25	24	1.62	27.00	25.000	0.438	0.594	0.06	R81	
	24	36.00	2.75	27.25	32.00	24	1.62	29.50	27.250	0.438	0.656	0.06	R77	
	26	38.25	3.31	29.50	34.50	28	1.75	31.88	29.500	0.500	0.781	0.06	R93	
	28	40.75	3.56	31.50	37.00	28	1.75	33.88	31.500	0.500	0.781	0.06	R94	
30	43.00	3.75	33.75	39.25	28	1.88	36.12	33.750	0.500	0.781	0.06	R95		
32	45.25	3.94	36.00	41.50	28	2.00	38.75	36.000	0.562	0.906	0.06	R96		
34	47.50	4.12	38.00	43.50	28	2.00	40.75	38.000	0.562	0.906	0.06	R97		
36	50.00	4.38	40.25	46.00	32	2.12	43.00	40.250	0.562	0.906	0.06	R98		

Flange Dimensions - ANSI B16.5 & B16.47



Class	Size	Flg. Dia.	Flg. Thick.	Raised Face Dia.	Drilling			Face Dia.	Ring Joint				
					Bolt Circle Dia.	# of Bolts	Hole Dia.		Pitch Dia.	Grv. Depth	Grv. Width	Btm. Radius	Ring No.
600	2	6.50	1.00	3.62	5.00	8	0.75	4.25	3.250	0.312	0.469	0.03	R23
	2.5	7.50	1.12	4.12	5.88	8	0.88	5.00	4.000	0.312	0.469	0.03	R26
	3	8.25	1.25	5.00	6.62	8	0.88	5.75	4.875	0.312	0.469	0.03	R31
	4	10.75	1.50	6.19	8.50	8	1.00	6.88	5.875	0.312	0.469	0.03	R37
	6	14.00	1.88	8.50	11.50	12	1.12	9.50	8.312	0.312	0.469	0.03	R45
	8	16.50	2.19	10.62	13.75	12	1.25	11.88	10.625	0.312	0.469	0.03	R49
	10	20.00	2.50	12.75	17.00	16	1.38	14.00	12.750	0.312	0.469	0.03	R53
	12	22.00	2.62	15.00	19.25	20	1.38	16.25	15.000	0.312	0.469	0.03	R57
	14	23.75	2.75	16.25	20.75	20	1.5	18.00	16.500	0.312	0.469	0.03	R61
	16	27.00	3.00	18.50	23.75	20	1.62	20.00	18.500	0.312	0.469	0.03	R65
	18	29.25	3.25	21.00	25.75	20	1.75	22.62	21.000	0.312	0.469	0.03	R69
	20	32.00	3.50	23.00	28.50	24	1.75	25.00	23.000	0.375	0.531	0.06	R73
22	34.25	3.75	25.25	30.62	24	1.88	27.00	25.000	0.438	0.594	0.06	R81	
24	37.00	4.00	27.25	33.00	24	2.00	29.50	27.250	0.438	0.659	0.06	R77	
900	2	8.5	1.5	3.62	6.5	8	1	4.88	3.75	0.312	0.469	0.03	R24
	2.5	9.62	1.62	4.12	7.50	8	1.12	5.39	4.250	0.312	0.469	0.03	R27
	3	9.50	1.50	5.00	7.50	8	1.00	6.12	4.875	0.312	0.469	0.03	R31
	4	11.50	1.75	6.19	9.25	8	1.25	7.12	5.875	0.312	0.469	0.03	R37
	6	15.50	2.19	8.50	12.50	12	1.25	9.50	8.312	0.312	0.469	0.03	R45
	8	18.50	2.50	10.62	15.50	12	1.50	12.12	10.625	0.312	0.469	0.03	R49
	10	21.50	2.75	12.75	18.50	16	1.50	14.25	12.750	0.312	0.469	0.03	R53
	12	24.00	3.12	15.00	21.00	20	1.50	16.50	15.000	0.312	0.469	0.03	R57
	14	25.25	3.38	16.25	22.00	20	1.62	18.38	16.500	0.438	0.656	0.06	R62
	16	27.75	3.50	18.50	24.25	20	1.75	20.62	18.500	0.438	0.656	0.06	R66
	18	31.00	4.00	21.00	27.00	20	2.00	23.38	21.00	0.500	0.781	0.06	R70
	20	33.75	4.25	23.00	29.50	20	2.12	25.50	23.000	0.500	0.781	0.06	R74
24	41.00	5.50	27.25	35.50	20	2.62	30.38	27.250	0.625	1.062	0.09	R78	
1500	2	8.50	1.50	3.62	6.50	8	1.00	4.88	3.750	0.312	0.469	0.03	R24
	2.5	9.62	1.62	4.12	7.50	8	1.12	5.38	4.250	0.312	0.469	0.03	R27
	3	10.50	1.88	5.00	8.00	8	1.25	6.62	5.375	0.312	0.469	0.03	R35
	4	12.25	2.12	6.19	9.50	8	1.38	7.62	6.375	0.312	0.469	0.03	R39
	6	15.50	3.25	8.50	12.50	12	1.50	9.75	8.312	0.375	0.531	0.06	R46
	8	19.00	3.62	10.62	15.50	12	1.75	12.50	10.625	0.438	0.656	0.06	R50
	10	23.00	4.25	12.75	19.00	12	2.00	14.62	12.750	0.438	0.656	0.06	R54
	12	26.00	4.88	15.00	22.50	16	2.12	17.25	15.000	0.562	0.906	0.06	R58
	14	29.50	5.25	16.25	25.00	16	2.38	19.25	16.500	0.625	1.062	0.09	R63
	16	32.50	5.75	18.50	27.75	16	2.62	21.50	18.500	0.688	1.188	0.09	R67
	18	36.00	6.38	21.00	30.50	16	2.88	24.12	21.000	0.688	1.188	0.09	R71
	20	38.75	7.00	23.00	32.75	16	3.12	26.50	23.000	0.688	1.312	0.09	R75
24	46.00	8.00	27.25	39.00	16	3.62	31.25	27.250	0.812	1.438	0.09	R79	
2500	2	9.25	2.00	3.62	6.75	8	1.00	4.48	4.000	0.312	0.469	0.030	R26
	2.5	10.50	2.25	4.12	7.75	8	1.13	5.86	4.375	0.375	0.531	0.060	R28
	3	12.00	2.62	5.00	9.00	8	1.25	6.61	5.000	0.375	0.531	0.060	R32
	4	14.00	3.00	6.19	10.75	8	1.50	7.99	6.188	0.438	0.656	0.060	R38
	5	16.50	3.62	7.31	12.75	8	1.75	9.48	7.500	0.500	0.781	0.060	R40
	6	19.00	4.25	8.50	14.50	8	2.00	10.98	9.000	0.500	0.781	0.060	R47
	8	21.75	5.00	10.62	17.25	12	2.00	13.38	11.000	0.562	0.906	0.060	R51
	10	26.50	6.50	12.75	21.75	12	2.50	16.73	13.500	0.688	1.188	0.090	R55
12	30.00	7.25	15.00	24.38	12	2.75	19.48	16.000	0.688	1.312	0.090	R60	

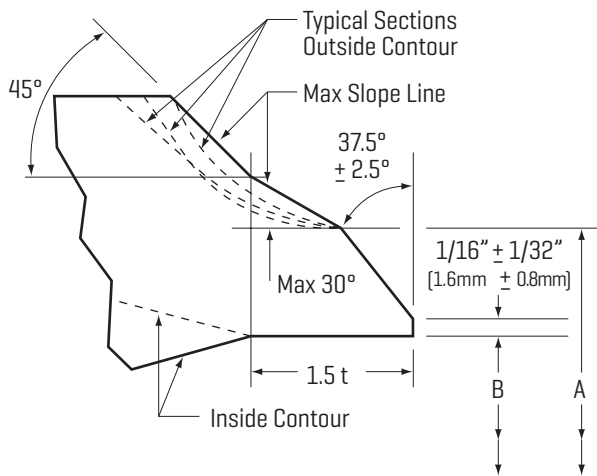
Butt-welding Dimensions - ANSI B16.25 ■■■■■■■■■■

Nominal Pipe Size	Schedule Number or Wall	Outside Diameter (Cast Steel Valves) A		Nominal Inside Diameter B		Machined Inside Diameter C		Nominal Wall Thickness t	
		Inches	mm	Inches	mm	Inches	mm	Inches	mm
3	xxs	3-19/32	91.282	2.300	58.42	2.409	61.19	0.600	15.24
4	xxs	4-5/8	117.48	3.152	80.06	3.279	83.29	0.674	17.12
5	160	5-11/16	144.46	4.313	109.55	4.428	112.47	0.625	15.88
	xxs			4.063	103.20	4.209	106.91	0.750	19.05
6	120	6-25/32	172.34	5.501	139.72	5.600	142.24	0.562	14.27
	160			5.189	131.80	5.327	135.31	0.719	18.26
	xxs			4.897	124.38	5.072	128.83	0.864	21.95
8	100	8-23/32	223.04	7.439	188.93	7.546	191.67	0.594	15.09
	120			7.189	182.60	7.327	186.11	0.719	18.26
	140			7.001	177.83	7.163	181.94	0.812	20.62
	xxs			6.875	174.63	7.053	179.15	0.875	22.23
	160			6.813	173.05	6.998	177.75	0.960	23.01
10	50	10-15/16	277.81	9.564	242.93	9.671	245.64	0.594	15.09
	100			9.314	236.58	9.452	240.08	0.719	18.26
	120			9.064	230.23	9.234	234.54	0.844	21.44
	140			8.750	222.25	8.959	227.56	1.000	25.40
	160			8.500	215.90	8.740	222.00	1.125	28.58
12	60	12-31/32	329.41	11.626	295.30	11.725	297.82	0.562	14.27
	80			11.376	288.95	11.507	292.28	0.688	17.48
	100			11.064	281.03	11.234	284.34	0.844	21.44
	120			10.750	273.05	10.959	278.36	1.000	25.40
	140			10.500	266.70	10.740	272.80	1.125	28.58
	160			10.126	257.20	10.413	264.49	1.312	33.32
14	60	14-1/4	361.95	12.814	352.48	12.921	328.19	0.594	15.09
	80			12.500	317.50	12.646	321.21	0.750	19.05
	100			12.126	308.00	12.319	312.90	0.938	23.83
	120			11.814	300.08	12.046	305.97	1.094	27.79
	140			11.500	292.10	11.771	298.98	1.250	31.75
	160			11.188	284.18	11.498	292.05	1.406	35.71
16	60	16-1/4	412.75	14.688	373.08	14.811	376.20	0.656	16.66
	80			14.314	363.58	14.484	367.89	0.844	21.44
	100			13.938	354.03	14.155	359.54	1.031	26.19
	120			13.564	344.53	13.827	351.21	1.219	30.96
	140			13.124	333.35	13.442	341.43	1.438	36.53
	160			12.814	325.48	13.171	334.54	1.594	40.49
18	40	18-9/32	464.34	16.876	428.65	16.975	431.17	0.562	14.27
	60			16.500	419.10	16.646	422.81	0.750	19.05
	80			16.126	409.60	16.319	414.50	0.938	23.83
	100			15.688	398.48	15.936	404.50	1.156	29.36
	120			15.250	387.35	15.553	395.05	1.375	34.93
	140			14.876	377.85	15.225	386.72	1.562	39.67
	160			14.438	366.73	14.842	376.99	1.781	45.24
20	40	20-5/16	515.94	18.814	477.88	18.921	480.59	0.594	15.09
	60			18.376	466.75	18.538	470.87	0.812	20.62
	80			17.938	455.63	18.155	461.14	1.031	26.19
	100			17.438	442.93	17.717	450.01	1.281	32.54
	120			17.000	431.80	17.334	440.28	1.500	38.10
	140			16.500	419.10	16.896	429.16	1.750	44.45
	160			16.064	408.03	16.515	419.48	1.969	50.01
24	30	24-3/8	619.13	22.876	581.05	22.975	583.57	0.562	14.27
	40			22.626	574.70	22.757	578.03	0.688	17.48
	60			22.064	560.43	22.265	565.53	0.969	24.61
	80			21.564	547.73	21.827	554.41	1.219	30.96
	100			20.938	531.83	21.280	540.51	1.531	38.89
	120			20.376	517.55	20.788	528.02	1.812	46.02
	140			19.876	504.85	20.350	516.89	2.062	52.37
	160			19.314	490.58	19.859	504.42	2.344	59.54

Butt-welding Dimensions - ANSI B16.25

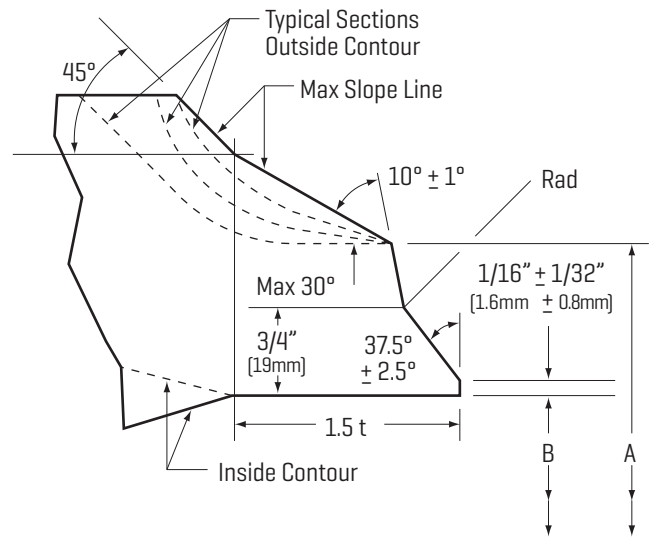
Plain Bevel Butt-welding End for Pipe Wall Thickness is 7/8" [22.23mm] or less.

Welding end details for cast components for use without backing ring or with split backing ring.



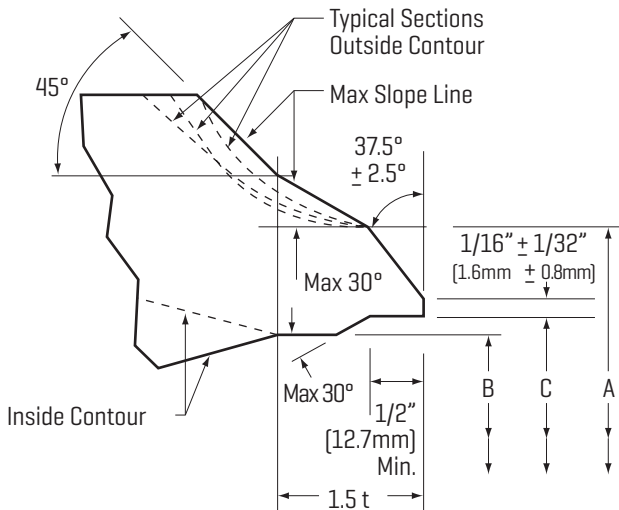
Compound Bevel Butt-welding End for Pipe Wall Thickness Greater than 7/8" [22.23mm].

Welding end details for cast components for use without backing ring or with split backing ring.



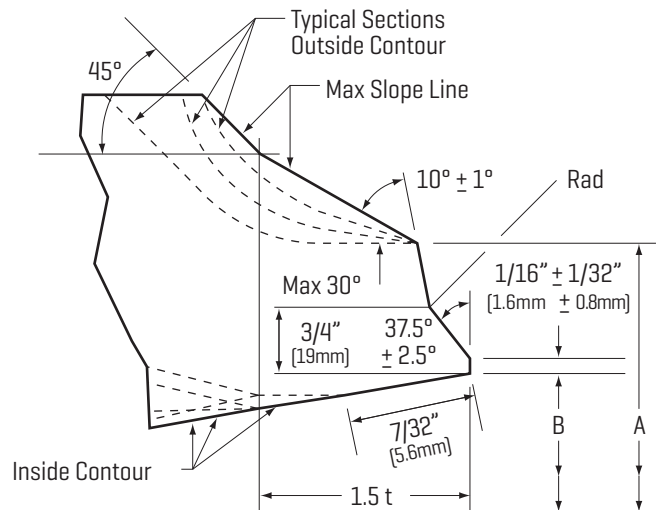
Plain Bevel Butt-welding End for Pipe Wall Thickness is 7/8" [22.23mm] or less.

Welding end details for cast components for use with continuous rectangular or tapered backing ring.



Compound Bevel Butt-welding End for Pipe Wall Thickness Greater than 7/8" [22.23mm].

Welding end details for cast components for use with continuous rectangular or tapered backing ring.



PISTON CHECK VALVES

www.scvvalve.com

RAPID CLOSING, BACKFLOW PREVENTION

SCV VALVE manufactures a premium array of check valves. Our products are manufactured and tested in accordance with respective API, ASME, and ANSI standards. SCV Piston Check Valves are quiet operating valves that effectively prevent backflow. The "flapperless" design is gentle on the seat as the piston rises and lowers with increased and decreased flow rates. The SCV design offers many features and options beneficial for oil, liquid gas, and liquid applications.

Standard Features

- Sizes: 2" thru 24"
- Class: 150 - 2500
- Basic Design: API 6D
- Wall Thickness: API 6D
- Face-to-Face: As stated
- Flange End Dimensions: ANSI/ASME 16.5
- Butt-Weld End Dimensions: ANSI/ASME B16.25
- Inspection & Testing: API 6D



Call (281) 482-4728 today for fast delivery!



SCV Product Line

- Lubricated Plugs
- Full Port Swing Checks
- Piston Checks
- Globes
- Trunnion Mounted Balls
- Floating Balls
- Thru Conduit Gates
- Wedge Gates



Terms & Conditions

Quotation Validity

This quotation is valid for 30 days from the date quotation is sent. Validity on special metals, including Stainless Steel, is 14 days from the date the quotation is sent. All products offered from stock are subject to prior sale.

Shipments

All items quoted are EXW our Dock - [Ex Works - SCV Valve Facility Santa Fe, Texas 77510] - unless otherwise noted and agreed to in writing. Shipment may be billed either third party billing to the buyer or freight collect. Shipment dates offered above are forecasted delivery lead times and are estimated from the date payment terms [acceptable to seller] are established, clarification is received on all technical information, and resolution of customer's written approval of drawings is received [when required]. The equipment quoted shall be packed in accordance with seller's standard packing procedure unless otherwise noted and agreed to in writing by the seller.

Force Majeure

If in the case of an act of God, war, riot, fire, explosion, flood, or any other circumstances of whatsoever nature which are beyond the control of the seller and which in any way affect the ability of the seller to fulfill its delivery obligations, the delivery is hindered, impeded, or delayed the seller shall be exonerated from all responsibilities and reserves the right to postpone the delivery beyond the original schedule.

Payment terms

All terms are to be negotiated. Credit cards accepted [Master Card, Visa, American Express].

Purchase Orders

All buyer's purchase orders supplied to the seller are to be written in the English language.

Prices

All prices quoted are in USD as per the preceding pricing schedule. The minimum order value is \$5,000.00 [five thousand dollars], unless otherwise agreed to by seller. If for some reason any items are changed or additions to the order required, seller reserves the right to adjust prices accordingly. All sales are subject to approval of seller's credit department. If buyer fails to meet the agreed upon and established commercial terms of the contract, the seller may with-hold all subsequent deliveries until such time that the original commercial terms of the contract have been met by the buyer [or subsequent commercial terms have been agreed upon by the seller with the buyer].

Intellectual Property

All specifications, illustrations, drawings, certificates, and other particulars supplied by seller remain the intellectual property of the seller and should not be disclosed to any third party without the prior written consent of seller.

Governing Law; Arbitration; Jurisdiction

The terms and conditions of this quotation and any subsequent purchase order shall be construed, interpreted, and performed exclusively according to the laws of the State of Texas, USA. The courts of such state shall have exclusive jurisdiction out of all controversies arising out of or in connection with this agreement. The parties consent that process may be served upon them in any such action by registered mail at the address stated for Buyer on its purchase order, and upon SCV Valve at the address noted above in Santa Fe, Texas, or personally within or without the State of Texas. Any legal action with respect to any agreement must be commenced within one year after the cause of action has accrued. The provisions of the Uniform Commercial Code as adopted by the State of Texas, and not under the United Nations Convention on Contracts for the International Sale of Goods, shall apply.

Warranty

All seller's products are guaranteed against defects in workmanship for a period of twelve [12] months after being placed in service, but not exceeding eighteen [18] months after shipment, when products are properly installed per seller specifications and used within the service and pressure range for which they were manufactured. Full risk of loss shall pass to the buyer upon delivery at FOB point, or destination port in case of CIF. This guarantee is limited to the replacement of any valve parts/components found to be defective either in material or workmanship. This guarantee does not extend to costs of labor, freight, or any other consequential charges. The unauthorized use of third party components and workmanship in seller's products voids this warranty.

Limitation of Liability

The liability of the seller under this agreement or with respect to any products supplied or services performed pursuant to this agreement, whether in contract, in tort, in strict liability or otherwise, shall not exceed the purchase price paid by the buyer with respect thereto. In no event will the seller be liable in contract, in tort, in strict liability or otherwise for any special, indirect, incidental, or consequential damages. This is including but not limited to loss of anticipated profits or revenues, loss of use, non-operation or increased expense of operation of equipment, cost of capital, or claims from customer or buyer for failure or delay in achieving anticipated profits or products.

Cancellation

No contract may be canceled by the buyer except upon written notice to seller and upon payment to seller of all costs incurred by the contract arising out of, or in connection with, the contract. Export of goods covered hereby is subject to United States Customs Control. Standard stocking items will be subject to a twenty-five percent [25%] restocking and/or cancellation charge. Non-standard stocking items will be subject to a one-hundred percent [100%] restocking and/or cancellation charge.

Cancellation Charge

The following indicates the rates of cancellation charge of contract value for project manufactured items and/or special engineered items at various stages of production:

- | | |
|--|----------------------------------|
| • Time of cancellation: Order Acknowledgement and prior to Engineering engagement. | Cancellation Charge: 10% |
| • Time of cancellation: After start of engineering but prior to release to production. | Cancellation Charge: 30% |
| • Time of cancellation: After release to production but prior to completion of fabrication. | Cancellation Charge: 80% |
| • Time of cancellation: After completion of fabrication. | Cancellation Charge: 100% |

Return of Goods

No product shall be returned to seller without written authorization and shipping instructions having been obtained from seller. Products authorized for returns are to be shipped freight pre-paid to the SCV Valve Facility identified in writing, unless otherwise notified, and are subject to seller's standard re-stocking fees.

Documentation

MTR's are available at no charge upon request. The seller's standard document package is per ISO 10474 3.1B requirements. Additional requested documentation is subject to charge.

Inspection

The customer or his authorized representative may, with four [4] weeks prior notice given to seller, visually inspect products manufactured by seller. Such seller approved inspections will be carried out in accordance with seller's standard or seller approved customer inspection procedures. If any inspection or documentation requested by the customer is over and beyond the scope and criteria initially agreed to by the seller, any costs incurred by conducting such inspection or preparation of special documents shall be paid by the buyer prior to release of the items for shipment.

Witness Hydro-testing

Witness hydro-testing is available at a cost. A scope of buyers inspection request is to be provided to seller at order placement. Late notice of such requested inspection is subject to additional costs. The cost associated with such witness hydro request is to be agreed on prior to any such testing taking place. Payment of this type of testing to be negotiated. Additionally, any costs associated with a third party inspector will not be at the sellers expense.

The SCV valve brand was established in 1972 as a maintenance and modification company with the ability to provide full in-line valve service and repair. In the mid-1970's, after experiencing many shortcomings of other valve products in the industry, the first SCV valve was manufactured. Since that time, the SCV brand has been expanded its manufactured products to cover a broad range of valves. Industries served include the power, paper and pulp, oil and gas, and petro-chemical sectors.

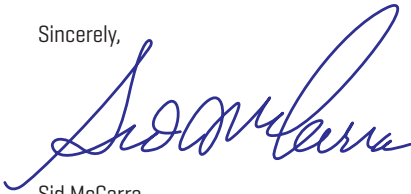
SCV Valve takes sincere pride in our ability to manufacture both commodity and specialty valves that meet and exceed the needs of our customers. All sizes, pressure classes, and metallurgical compositions are managed in house utilizing the strictest quality control measures to ensure the customer's total satisfaction.

SCV Valve products include thru conduit gates, trunnion mounted balls, floating balls, wedge gates, globes, full port swing checks, piston checks, dual plate checks and lubricated plugs. Valves utilized throughout the industry must meet rigorous quality and production standards. SCV Valve has earned its API 6A, API 6D, ISO: 9001, CE-PED, and CRN certifications while operating under the API Q1 Quality Management System.

With years of dedication and commitment to quality, design, and service, SCV Valve has grown to be one of the premier valve manufacturers in the industry with the largest inventory of high pressure ball, gate, and check valves. We pride ourselves on our high quality products, timely delivery capabilities, and competitive prices.

On behalf of all of the members at SCV Valve, we thank you for the opportunity to earn your business.

Sincerely,



Sid McCarra

President

SCV Valve, LLC

Since 1972, the SCV brand has been committed to providing quality flow control products to the Power, Paper & Pulp, Oil & Gas, and Petro Chemical industries.

As one of the largest valve manufacturers, SCV Valve's reputation is unparalleled for producing high quality commodity and specialty valves. Products range in sizes 1/2" - 48", in pressure classes from 150# - 2500# and are backed by timely deliveries and competitive prices.

Call SCV today at [281]482-4728 for all your valve needs or visit us on the web @ www.scvvalve.com.

**SALES, PROJECTS, ENGINEERING,
MANUFACTURING, & WAREHOUSING**

3521 FM 646 Rd. North
Santa Fe, TX 77510

Phone: [281] 482-4728

Fax: [281] 482-9728

Hours: 8:00 a.m. to 5:00 p.m. Central Standard

Email: sales@scvvalve.com



SCV VALVE

[281] 482-4728 · www.scvvalve.com