

# Dual Plate Check Valves - Wafer & Flanged Carbon & Stainless Steel

**Wafer Sizes 1.5" - 84"**  
**Class 150 thru 2500**

**Flanged Sizes 8" - 48"**  
**Class 150 - 900**



## Design and Manufacturing Standards

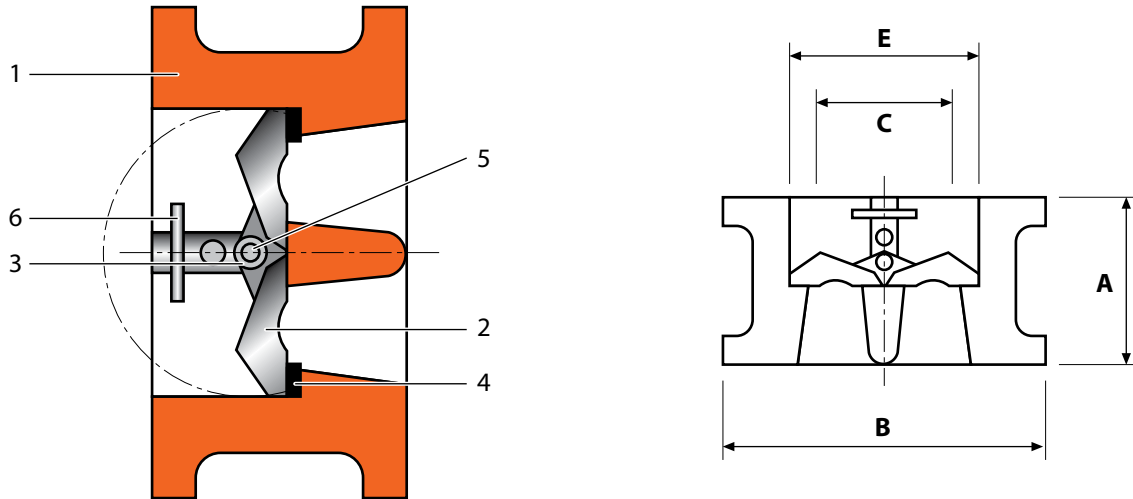
<b>Basic Design</b>	<b>API 6D &amp; API 594</b>
<b>Face to Face Dimension</b>	<b>API 6D &amp; ANSI B16.10</b>
<b>Flange End Dimension</b>	<b>ANSI B16.5</b>
<b>Inspection &amp; Testing</b>	<b>API 598</b>



Wafer - Dual Plate Check Valves

Class 150 - 2500

1.5" - 84"



BILL OF MATERIAL

NO	NAME OF PART	MATERIAL	
1	BODY	A216-WCB	A351-CF8M
2	DISC	A217-CA15	A351-CF8M
3	SPRING	INCONEL X750	INCONEL X750
4	SEAT	410 SS	STELLITE 6
5	HINGE PIN	410 SS	316 SS
6	STOP	410 SS	316 SS

DIMENSIONS & WEIGHTS

VALVE SIZE	PRESSURE RATING	END FACING	A	B	C	E	STUD SELECTION			APPROX WT	
							NO	DIA	LENGTH	LB	KG
1.5 (38 mm)	150	RF	2	3.375	-	1.97	4	0.5	5	4	1.8
	300	RF/RJ-20	2	3.75	-	1.97	4	0.75	6.5	4	1.8
	600	RF/RJ-20	2	3.75	-	1.97	4	0.75	6.5	4	1.8
2 (51 mm)	150	RF	2.375	4.125	-	2.25	4	0.625	6	7	3.2
	300	RF/RJ-23	2.375	4.375	-	2.25	8	0.625	6.875	8	3.2
	600	RF/RJ-23	2.375	4.375	-	2.25	8	0.625	6.875	8	3.2
	900	RF/RJ-24	2.75	5.625	-	2.25	8	0.875	8.75	18	8.2
	1500	RF/RJ-24	2.75	5.625	-	2.25	8	0.875	8.75	18	8.2
2.5 (64 mm)	2500	RF/RJ-26	2.75	5.75	-	2.25	8	1	10	29	13.1
	150	RF	2.625	4.875	-	2.94	4	0.625	6.375	11	5
3 (76 mm)	300	RF	2.625	5.125	-	2.94	8	0.75	6.875	13	5
	150	RF	2.875	5.375	2	3.42	4	0.625	7	14	6.4
	300	RF	2.875	5.875	2	3.42	8	0.75	8.125	17	7.7
	600	RF	2.875	5.875	2	3.42	8	0.75	8.125	17	7.7
	900	RF/RJ-31	3.25	6.625	2.375	3.42	8	0.875	9.5	26	11.8
	1500	RF/RJ-35	3.25	6.875	2.375	3.42	8	1.125	10.5	28	12.7
4 (102 mm)	2500	RF/RJ-32	3.375	7.75	2.375	3.42	8	1.25	12.25	35	15.9
	150	RF	2.875	6.875	3.5	4.45	8	0.625	7	21	9.5
	300	RF	2.875	7.125	3.5	4.45	8	0.75	8.125	23	10.5
	600	RF/RJ-37	3.125	7.625	3.5	4.45	8	0.875	9.5	28	12.7
	900	RF/RJ-37	4	8.125	3.25	4.45	8	1.125	11	42	19.1
	1500	RF/RJ-39	4	8.25	3.25	4.45	8	1.25	12	45	20.5
2500	RF/RJ-38	4.125	9.25	3.25	4.45	8	1.5	14.625	64	29.1	

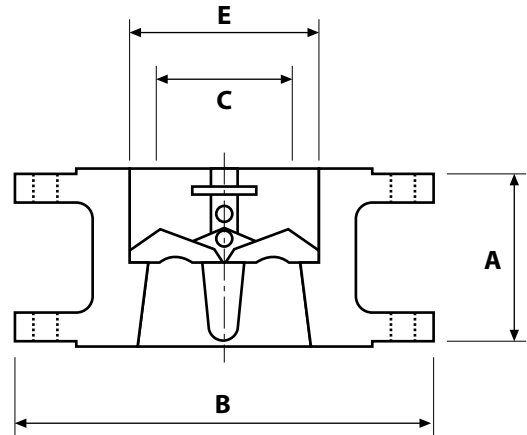
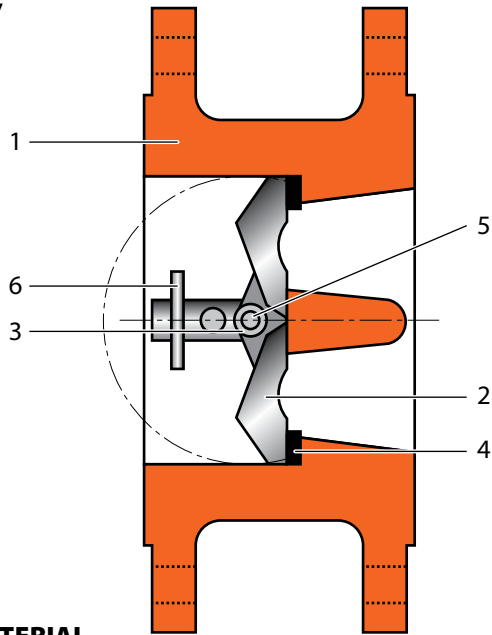
VALVE SIZE	PRESSURE RATING	END FACING	A	B	C	E	STUD SELECTION			APPROX WT	
							NO	DIA	LENGTH	LB	KG
5 (127 mm)	150	RF	3.375	7.75	0	5.875	8	0.75	7.375	28	12.7
	300	RF	3.375	8.5	0	5.875	8	0.75	8.125	31	14.1
6 (152 mm)	150	RF	3.875	8.75	5.5	6.52	8	0.75	8.25	36	16
	300	RF	3.875	9.875	5.5	6.52	12	0.75	9.625	45	20
	600	RF/RJ-45	5.375	10.5	3.5	6.52	12	1	12.375	80	36
	900	RF/RJ-45	6.25	11.375	3.5	6.52	12	1.125	14	119	54
	1500	RF/RJ-46	6.25	11.125	3.5	6.52	12	1.375	16.75	116	52
	2500	RF/RJ-47	6.25	12.5	3.5	6.52	8	2	20.5	154	70
8 (203 mm)	150	RF	5	11	6.75	8.13	8	0.75	9.75	80	36
	300	RF	5	12.125	6.75	8.13	12	0.875	11.125	88	40
	600	RF/RJ-49	6.5	12.625	6.625	8.13	12	1.125	14.5	160	72
	900	RF/RJ-49	8.125	14.125	5.125	8.13	12	1.375	17.125	271	122
	1500	RF/RJ-50	8.125	13.875	5.125	8.13	12	1.625	20.25	257	116
	2500	RF/RJ-51	8.125	15.25	5.625	8.13	12	2	24	293	132
10 (254 mm)	150	RF	5.75	13.375	9.25	10.25	12	0.875	11	116	52
	300	RF	5.75	14.25	9.25	10.25	16	1	12.75	124	56
	600	RF/RJ-53	8.375	15.75	7.875	10.25	16	1.25	17.125	260	118
	900	RF/RJ-53	9.5	17.125	7.688	10.25	16	1.375	19	434	196
	1500	RF/RJ-54	9.75	17.125	7.25	10.25	12	1.875	23.5	449	203
	2500	RF/RJ-55	10	18.75	7.5	10.25	12	2.5	30.5	480	217
12 (305 mm)	150	RF	7.125	16.125	10.25	11.82	12	0.875	12.25	215	97
	300	RF	7.125	16.625	10.25	11.82	16	1.125	14.625	217	98
	600	RF/RJ-57	9	18	9.125	11.82	20	1.25	18	360	164
	900	RF/RJ-57	11.5	19.625	8.125	11.82	20	1.375	21.75	644	293
	1500	RF/RJ-58	12	20.5	8.25	11.82	16	2	27.5	824	373
	2500	RF/RJ-60	12	21.625	8.875	11.82	12	2.75	34.5	870	394
14 (356 mm)	150	RF	7.25	17.75	11.25	13.34	12	1	13	270	123
	300	RF	8.75	19.125	11.25	13.34	20	1.125	16.5	390	176
	600	RF/RJ-61	10.75	19.375	9.125	13.34	20	1.375	20.25	410	186
	900	RJ/RJ-62	14	20.5	-	13.34	20	1.5	25.5	872	396
	1500	RF/RJ-63	14	22.75	-	13.34	16	2.25	31.5	1068	484
16 (406 mm)	150	RF	7.5	20.25	13.063	15.25	16	1	13.5	295	133
	300	RF	9.125	21.25	13	15.25	20	1.25	17.375	458	207
	600	RF/RJ-65	12	22.25	13	15.25	20	1.5	22.25	728	331
	900	RF/RJ-66	15.125	22.625	6.375	15.25	20	1.625	27.125	1174	532
	1500	RF/RJ-67	15.125	25.25	6.375	15.25	16	2.5	34.25	1295	587
18 (457 mm)	150	RF	8	21.625	15.563	17.25	16	1.125	14.5	312	141
	300	RF	10.375	23.5	15.375	17.25	24	1.25	18.875	650	294
	600	RF/RJ-69	14.25	24.125	13	17.25	20	1.625	25.25	870	394
	900	RF/RJ-70	17.75	25.125	9.625	17.25	20	1.875	34.5	1344	611
	1500	RF/RJ-71	18.438	27.75	7.25	17.25	16	2.75	39.75	1745	791
20 (508 mm)	150	RF	8.625	23.875	17.25	19.19	20	1.125	15.125	472	215
	300	RF	11.5	25.75	17.25	19.19	24	1.25	20.5	801	363
	600	RF/RJ-73	14.5	26.875	17	19.19	24	1.625	26.25	1196	544
	900	RF/RJ-74	17.75	27.5	16	19.19	20	2	32.5	1406	637
	1500	RF/RJ-75	21	29.75	8.25	19.19	16	3	44.25	2812	1275
24 (610 mm)	150	RF	8.75	28.25	21.125	22.78	20	1.25	16.25	788	358
	300	RF	12.5	30.5	20.625	22.78	24	1.5	22.75	1150	521
	600	RF/RJ-77	17.25	31.125	20.063	22.78	24	1.875	30.75	1802	819
	900	RF/RJ-78	19.5	33	17.5	22.78	20	2.5	38	2713	1230
	1500	RF/RJ-79	22	35.5	15.375	22.78	16	3.5	48.5	5968	2713

VALVE SIZE	PRESSURE RATING	END FACING	A	B	C	E	STUD SELECTION			APPROX WT	
							NO	DIA	LENGTH	LB	KG
26 (660 mm)	150	RF	14	30.5	23.5	24.78	24	1.25	23.125	1056	680
	300	RF	14	32.875	23.5	24.78	28	1.625	24.75	1619	735
	600	RF/RJ-73	18	34.125	22.75	24.78	28	1.875	31.5	1855	842
	900	RF/RJ-100	21	34.75	22	24.78	20	2.75	38.75	2605	1182
28 (711 mm)	150	RF	15	32.75	25.5	26.78	28	1.25	24.375	1196	544
	300	RF	15	35.375	25.5	26.78	28	1.625	26.25	1612	733
	600	RF/RJ-94	19	36	24.75	26.78	28	2	33	1916	871
	900	RF/RJ-101	22.5	37.25	24	26.78	20	3	41	3170	1441
30 (762 mm)	150	RF	12	34.75	25.25	28.93	28	1.25	21	1456	662
	300	RF	14.5	37.5	25.25	28.93	28	1.75	26.5	2100	952
	600	RF/RJ-95	19.875	38.25	23	28.93	28	2	34.125	3472	1578
	900	RF/RJ-102	25	39.75	23	28.93	20	3	44	4024	182
32 (813 mm)	150	RF	14	37	25.25	30.87	28	1.5	24.625	1556	707
	300	RF	16	39.625	25.25	30.87	28	1.875	28.75	3597	1635
	600	RF/RJ-96	21	40.25	24	30.87	28	2.25	36	3835	1743
	900	RF/RJ-105	26	42.25	24	30.87	20	3.25	46.25	4475	2034
36 (914 mm)	150	RF	14.5	41.25	25.5	34.04	32	1.5	25.875	1505	682
	300	RF	19	44	25.5	34.04	32	2	32.5	2799	1269
	600	RF/RJ-98	25	44.5	20.75	34.04	28	2.5	45	4664	2120
	900	RF/RJ-105	28.25	47.25	14	34.04	20	3.5	50.75	7183	3259
40 (1016 mm)	150	RF	17	45.75	34.75	38.87	36	1.5	27.375	1980	900
	300	RF	21.5	43.875	29.5	35.78	32	1.625	35	4015	1825
	600	RF	26	45.5	29.25	35.78	32	2.25	44.25	8250	3750
	900	RF	30	49.25	29	35.78	24	3.5	53.75	8738	3972
42 (1067 mm)	150	RF	17	48	36.813	41.81	36	1.5	28.875	2500	1134
	300	RF	22.375	46	32.938	39.98	32	1.625	37	5800	2630
	600	RF	27.625	48	25.5	38.26	28	2.5	47.125	6897	3135
	900	RF	31	51.25	23	38.26	24	3.5	59.25	8074	3670
48 (1219 mm)	150	RF	20.625	54.5	40.813	46.98	44	1.5	33.375	6616	3007
	300	RF	24.75	52.125	38	44.73	32	1.875	40.5	8600	3909
	600	RF	31	54.75	35	44.73	32	2.75	54	9715	4416
54 (1372 mm)	150	RF	23.25	61	43	50.45	44	1.75	38.25	7097	3225
	300	RF	28.25	58.75	43	50.45	28	2.25	47.25	8532	3878
60 (1524 mm)	150	RF	26	67.5	47.5	55.97	52	1.75	42	9126	4148
	300	RF	33	64.75	47.5	55.97	32	2.25	53	11863	5392
66 (1676 mm)	150	RF	31	74.25	56.5	65.46	52	1.75	45	16800	7636
72 (1829 mm)	150	RF	33.5	80.75	60.25	71.58	60	1.75	48	18900	8590
78 (1981 mm)	150	RF	36.5	87	65.5	111	64	2	52	22522	10237
84 (2134 mm)	150	RF	41	93.5	69	83.32	64	2	57	28111	12777

Flanged - Dual Plate Check Valves

Class 150 - 900

8" - 48"



BILL OF MATERIAL

NO	NAME OF PART	MATERIAL	
1	BODY	A216-WCB	A351-CF8M
2	DISC	A217-CA15	A351-CF8M
3	SPRING	INCONEL X750	INCONEL X750
4	SEAT	410 SS	STELLITE 6
5	HINGE PIN	410 SS	316 SS
6	STOP	410 SS	316 SS

DIMENSIONS & WEIGHTS

VALVE SIZE	PRESSURE RATING	A	B	C	E	STUD SELECTION			APPROX WEIGHT	
						NO.	DIAMETER	LENGTH	LB	KG
8 (203 mm)	150	5	13.5	6.75	8.13	8	0.75	5	109	49
10 (254 mm)	150	5.75	16	9.25	10.25	12	0.875	5.125	182	82
	600	8.375	20	7.875	10.25	16	1.25	8.75	404	183
	900	9.5	21.5	7.688	10.25	16	1.375	9.5	448	203
12 (305 mm)	150	7.125	19	10.25	11.82	12	0.875	5.5	276	125
	300	7.125	20.5	10.25	11.82	16	1.125	7.5	338	153
	600	9	22	9.125	11.82	20	1.25	9	527	239
	900	11.5	24	8.125	11.82	20	1.375	10.25	767	347
14 (356 mm)	150	7.25	21	11.25	3.34	12	1	6	318	144
	300	8.75	23	11.25	13.34	20	1.125	7.75	456	207
	600	10.75	23.75	9.125	13.34	20	1.375	9.5	835	378
	900	14	25.25	0	13.34	20	1.5	11.25	1235	560
16 (406 mm)	150	7.5	23.5	13.063	15.25	16	1	6	388	176
	300	9.125	25.5	13	15.25	20	1.25	8.25	664	301
	600	12	27	13	15.25	20	1.5	10.25	996	451
	900	15.125	27.75	6.375	15.25	20	1.625	11.75	1206	547
18 (457 mm)	150	8	25	15.563	17.25	16	1.125	6.5	464	210
	300	10.375	28	15.375	17.25	24	1.25	8.5	862	3925
	600	14.25	29.25	13	17.25	20	1.625	11	1319	598
	900	17.75	31	9.625	17.25	20	1.875	13.5	1842	835

VALVE SIZE	PRESSURE RATING	A	B	C	E	STUD SELECTION			APPROX WEIGHT	
						NO.	DIAMETER	LENGTH	LB	KG
20 (508 mm)	150	8.625	27.5	17.25	19.19	20	1.125	7	596	270
	300	11.5	30.5	17.25	19.19	24	1.25	9	1080	489
	600	14.5	32	17	19.19	24	1.625	11.75	1680	762
	900	17.75	33.75	16	19.19	20	2	14.5	3931	1783
24 (610 mm)	150	8.75	32	21.125	22.78	20	1.25	7.5	842	381
	300	12.5	36	20.625	22.78	24	1.5	10.25	1664	756
	600	17.25	37	20.063	22.78	24	1.875	13.5	2520	1143
	900	19.5	41	17.5	22.78	20	2.5	18.25	4164	1888
26 (660 mm)	150	14	34.25	23.5	24.78	24	1.25	9	2215	1007
	300	14	38.25	23.5	24.78	28	1.625	11	2724	1238
	600	18	40	22.75	24.78	28	1.875	14.625	3120	1418
	900	21	42.75	22	24.78	20	2.75	19.125	4380	1991
28 (711 mm)	150	12	36.5	25.5	26.78	28	1.25	9.25	2255	1025
	300	15	40.75	25.5	26.78	28	1.625	11.5	2464	1120
	600	19	42.25	24.75	26.78	28	2	15.375	3227	1467
	900	22.5	46	24	26.78	20	3	20.5	5337	2426
30 (762 mm)	150	12	38.75	25.25	28.93	28	1.25	9.5	1745	793
	300	14.5	43	25.25	28.93	28	1.75	12	3527	1603
	600	19.875	44.5	23	28.93	28	2	16	5379	2445
	900	25	48.5	23	28.93	20	3	21.375	6776	3080
32 (813 mm)	150	14	41.75	25.25	30.87	28	1.5	10.5	5168	2349
	300	16	45.25	25.25	30.87	28	1.875	12.625	6057	2753
	600	21	47	24	30.87	28	2.25	17.125	6457	2935
	900	26	51.75	24	30.87	20	3.25	22.75	7535	3425
36 (914 mm)	150	14.5	46	25.5	34.04	32	1.5	11.25	2526	1148
	300	19	50	25.5	34.04	32	2	13.75	4701	2137
	600	25	51.75	20.75	34.04	28	2.5	18.75	10417	4735
	900	28.25	57.5	14	34.04	20	3.5	24.875	t	t
40 (1016 mm)	150	17	50.75	34.75	38.87	36	1.5	11.25	3333	1515
	300	21.5	48.75	29.5	35.78	32	1.625	13.25	6761	3073
	600	26	52	29.25	35.78	32	2.25	18.25	13891	6314
	900	30	59.5	29	35.78	24	3.5	25.625	14714	6688
42 (1067 mm)	150	17	53	36.813	41.81	36	1.5	11.625	4200	1909
	300	22.375	50.75	32.938	39.98	32	1.625	13.625	9744	4429
	600	27.625	55.25	25.5	38.26	28	2.5	19.5	11612	5278
	900	31	61.5	23	38.26	24	3.5	26.25	t	t
48 (1219 mm)	150	20.625	59.5	40.813	46.98	44	1.5	12.5	7374	3352
	300	24.75	57.75	38	44.73	32	1.875	15.25	11022	5010
	600	31	62.75	35	44.73	32	2.75	22	13402	6092