

Pressure Seal Gate Valves

Carbon & Stainless Steel

Sizes 2" - 24"

Class 600 - 2500



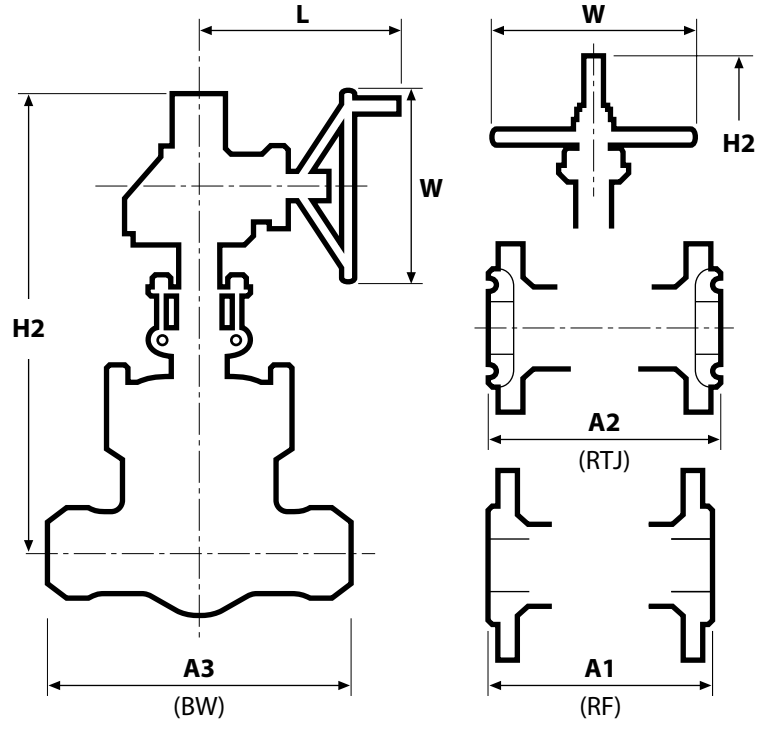
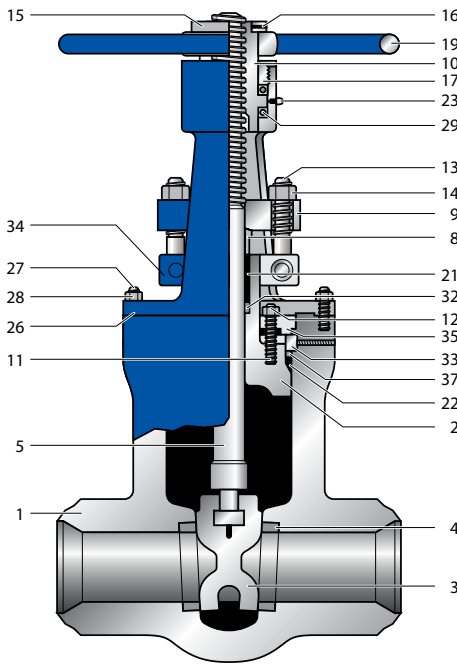
Design and Manufacturing Standards

Basic Design	ANSI B 16.34
Face to Face Dimension	ANSI B16.10
End Flanges Dimension	ANSI B16.5
Butt-Weld End Dimension	ANSI B16.25
Inspection & Testing	API 598



Carbon & Stainless Steel Pressure Seal Gate Valves Class 600 - 2500

2" - 24"



BILL OF MATERIAL

NO	NAME OF PART	ASTM SPECIFICATION						
		CARBON STEEL	HIGH TEMPERATURE SERVICE			LOW TEMPERATURE SERVICE	STAINLESS STEEL	
1	BODY	A216-WCB	A217-WC6	A217-WC9	A217-C5	A352-LCB/LC2/LC3	CF8M	CF8C
2	BONNET	A216-WCB	A217-WC6	A217-WC9	A217-C5	A352-LCB/LC2/LC3	CF8M	CF8C
3	DISC	A217-CA15	A217-WC6	A217-WC9	A217-C5	A352-LCB/LC2/LC3	CF8M	CF8C
4	BODY SEAT RING	A 105+ HARD FACE	A182-F11	A182-F22	A182-F50	A182-F304	F316	F347
5	STEM	A182-F6d	A182-F60	A182-F6Q	A182-F6Q	A182-F304	F316	F347
8	PACKING GLAND	A276-410	A276-410	A276-410	A276-410	A276-304	F316	F347
9	GLAND FLANGE	A105	A105	A105	A105	A350 - LF2	CF8M	CF8C
10	YOKE SLEEVE	A439-D2C	A439-D2C	A439-D2C	A439-D2C	B147-B8	F316	F347
11	BONNET BOLT	A193-B7	A193-B16	A193-B16	A193-B16	A320-L7	A193-B8	A193-B8
12	BONNET NUT	A194-2H	A194-4	A194-4	A194-4	A194-4	A194-8	A194-8
13	GLAND BOLT	A193-B7	A193-B7	A193-B7	A193-B7	A320-L7	A193-B8	A193-B8
14	GLAND NUT	A194-2H	A194-2H	A194-2H	A194-2H	A194-4	A194-8	A194-8
15	HANDLE NUT	STEEL						
16	SET SCREW	STEEL						
17	SLEEVE GLAND	STEEL						
19	HANDWHEEL	A395						
21	PACKING	COMMERCIAL						
22	GASKET	COMMERCIAL						
23	GREASE NIPPLE	STEEL					BRONZE	BRONZE
26	YOKE	A216-WCB	A217-WC6	A217-WC9	A217-C5	A352-LC1/LC2/LC3	CF8M	CF8C
27	YOKE BOLT	A193-B7	A193-B16	A193-B16	A193-B16	A320-L7	A193-B8	A193-B8
28	YOKE NUT	A194-2H	A194-4	A194-4	A194-4	A194-4	A194-8	A194-8
29	BEARING	COMMERCIAL						
32	PACKING WASHER	A276-410	A276-410	A276-410	A276-410	A276-304	F316	F347
33	RETAINER	A276-410	A276-410	A276-410	A276-410	A276-304	F316	F347
34	HINGE CLAMP	A216-WCB	A217-WC6	A217-WC9	A217-C5	A352-LC1/LC2/LC3	CF8M	CF8C
35	BONNET CLAMP	A216-WCB	A217-WC6	A217-WC9	A217-C5	A352-LC1/LC2/LC3	CF8M	CF8C
37	GASKET SPACER	A276-410	A276-410	A276-410	A276-410	A276-304	F316	F347

CLASS 600 - CARBON & STAINLESS STEEL PRESSURE SEAL GATE VALVES**DIMENSIONS & WEIGHTS**

VALVE SIZE	in	2	2.5	3	4	6	8	10	12	14	16	18	20	24
	mm	51	64	76	102	152	203	254	305	356	406	457	508	610
A1 (RF)	in	7.0	8.5	10.0	12.0	18.0	23.0	28.0	32.0	35.0	39.0	43.0	47.0	55.0
	mm	178	216	254	305	457	584	711	813	889	991	1092	1194	1397
A2 (RTJ)	in	11.5	13.0	14.0	17.0	22.0	26.0	31.0	33.0	35.0	39.0	43.0	47.0	55.0
	mm	292	330	356	432	556	660	787	838	889	991	1092	1194	1397
A3 (BW)	in	11.62	13.12	14.12	17.12	22.12	26.12	31.12	33.12	35.12	39.12	43.12	47.25	55.38
	mm	295	333	359	435	562	664	791	841	892	994	1095	1200	1406
H2	in	23.2	24.8	26.3	36.0	42.5	49.9	59.5	70.5	73.1	85.1	88.6	97.2	118.1
	mm	590	629	667	914	1080	1267	1511	1791	1857	2162	2251	2470	3000
W	in	7.9	9.8	9.8	11.8	19.7	22.0	27.2	35.8	24.0	24.0	24.0	24.0	30.0
	mm	200	250	250	300	500	560	690	610	610	610	610	610	760
L	in	-	-	-	-	-	-	-	17.0	17.0	20.2	20.2	20.2	21.8
	mm	-	-	-	-	-	-	-	432	432	512	512	512	554
WGT (RF)	lb	154.4	209.5	220.5	326.3	540.2	705.6	948.2	1135.6	1477.4	1995.5	2535.8	3186.2	4586.4
	kg	70	95	100	148	245	320	430	515	670	905	1150	1445	2080
WGT (BW)	lb	136.7	176.4	185.2	253.6	377.1	474.1	590.9	701.2	959.2	1256.9	1587.6	1962.5	2833.4
	kg	62	80	84	115	171	215	268	318	435	570	720	890	1285

CLASS 900 - CARBON & STAINLESS STEEL PRESSURE SEAL GATE VALVES**DIMENSIONS & WEIGHTS**

VALVE SIZE	in	2	2.5	3	4	6	8	10	12	14	16	18	20	24
	mm	51	64	76	102	152	203	254	305	356	406	457	508	610
A1 (RF)	in	14.5	16.5	15.0	18.0	24.0	29.0	33.0	38.0	40.5	44.5	48.0	52.0	61.0
	mm	368	419	381	457	610	737	838	965	1029	1130	1219	1321	1549
A2 (RTJ)	in	14.62	16.62	15.12	18.12	24.12	29.12	33.12	38.12	40.88	44.88	48.5	52.5	61.75
	mm	371	422	384	460	612	740	841	968	1038	1140	1232	1333	1568
A3 (BW)	in	8.5	10.0	12.0	14.0	20.0	26.0	31.0	36.0	39.0	43.0	46.5	50.5	59.5
	mm	216	254	305	356	508	660	787	914	991	1092	1181	1283	1511
H2	in	23.4	29.6	29.8	34.0	39.9	50.2	60.7	70.1	79.8	89.0	97.2	108.3	127.6
	mm	594	753	756	864	1013	1276	1543	1781	2026	2261	2470	2750	3242
W	in	11.8	17.7	17.7	19.7	22.0	18.1	24.0	24.0	24.0	24.0	29.9	29.9	24.0
	mm	300	450	450	500	560	460	610	610	610	610	760	760	610
L	in	-	-	-	-	-	16.8	17.0	20.2	20.2	20.2	21.8	21.8	20.1
	mm	-	-	-	-	-	427	432	512	512	512	554	554	512
WGT (RF)	lb	132.3	207.3	224.9	330.8	617.4	1455.3	2116.8	2976.8	3748.5	5292	7320.6	9702.0	14927.9
	kg	60	94	102	150	280	660	960	1350	1700	2400	3320	4400	6770
WGT (BW)	lb	88.2	141.1	176.4	220.5	407.9	1091.5	1620.7	2315.3	3087.0	4299.8	6019.7	8125.4	11973.2
	Kg	40	64	80	100	185	495	735	1050	1400	1950	2730	3685	5430

CLASS 1500 - CARBON & STAINLESS STEEL PRESSURE SEAL GATE VALVES

DIMENSIONS & WEIGHTS

VALVE SIZE	in	2	2.5	3	4	6	8	10	12	14	16	18	20	24
	mm	51	64	76	102	152	203	254	305	356	406	457	508	610
A1 (BW)	in	8.5	10.0	12.0	16.0	22.0	28.0	34.0	39.0	42.0	47.0	53.0	58.0	64.0
	mm	216	254	305	406	559	711	864	991	1067	1194	1346	1473	1626
A2 (RF)	in	14.5	16.5	18.5	21.5	27.75	32.75	39.0	44.5	49.5	54.5	60.5	65.5	76.5
	mm	368	419	470	546	705	832	991	1130	1257	1384	1536	1664	1943
A3 (RTJ)	in	14.62	16.62	18.62	21.62	28.0	33.13	39.38	45.12	50.25	55.38	61.38	66.38	77.62
	mm	371	422	473	549	711	841	1000	1146	1276	1406	1559	1686	1972
H2	in	23.4	29.6	29.6	34.0	48.0	51.6	64.8	77.8	87.2	91.8	111.1	122.1	148.3
	mm	594	753	753	864	1219	1311	1645	1975	2216	2331	2823	3102	3766
W	in	11.8	17.7	17.7	19.7	24.0	24.0	24.0	24.0	29.9	29.9	29.9	24.0	24.0
	mm	300	450	450	500	610	610	610	610	760	760	760	610	610
L	in	-	-	-	-	17.0	17.0	20.2	20.0	21.8	21.8	21.8	20.2	20.2
	mm	-	-	-	-	432	432	512	512	554	554	554	512	512
WGT (RF)	lb	132.3	207.3	264.6	458.6	1058.4	2006.6	3109.1	4586.4	5755.1	7938	13141.8	16250.9	23395.1
	kg	60	94	120	208	480	910	1410	2080	2610	3600	5960	7370	10610
WGT (BW)	lb	88.2	141.1	176.4	326.3	749.7	1499.4	2249.1	3197.3	3969	6063.8	10209.2	12612.6	18169.2
	kg	40	64	80	148	340	680	1020	1450	1800	2750	4630	5720	8240

CLASS 2500 - CARBON & STAINLESS STEEL PRESSURE SEAL GATE VALVES

DIMENSIONS & WEIGHTS

VALVE SIZE	in	2	2.5	3	4	6	8	10	12	14	16	18
	mm	51	64	76	102	152	203	254	305	356	406	457
A1 (RF)	in	17.75	20.0	22.75	26.5	36.0	40.25	50.0	56.0	44	49	55
	mm	451	508	578	673	914	1022	1270	1422	1118	1245	1397
A2 (BW)	in	11	13	14.5	18	24	30	36	41	44	49	55
	mm	279	330	368	457	610	762	914	1041	1118	1245	1397
A3 (RTJ)	in	17.87	20.25	23.0	26.8	36.5	40.87	50.88	56.88	-	-	-
	mm	454	514	584	683	927	1038	1292	1445	-	-	-
H2	in	23.4	29.6	29.6	34.3	47.3	57.1	63.4	82.5	90.2	97.2	116.1
	mm	594	753	753	870	1201	1451	1610	2096	2291	2470	2950
W	in	14.0	17.7	19.7	23.6	24.0	24.0	24.0	29.9	29.9	24.0	24.0
	mm	355	450	500	600	610	610	610	760	760	610	610
L	in	-	-	-	-	17.0	20.2	20.2	21.8	21.8	20.2	20.2
	mm	-	-	-	-	432	512	512	554	554	512	512
WGT (RF)	lb	172.1	273.4	334.1	702.7	1640.3	2673	4807.4	6925.5	-	-	-
	kg	85	135	165	347	810	1320	2374	3420	-	-	-
WGT (BW)	lb	101.3	182.3	192.4	384.8	1053	1498.5	3240	6075	6885	8505	10125
	kg	50	90	95	190	520	740	1600	3000	3400	4200	5000