

Pressure Seal Globe Valves

Carbon & Stainless Steel

Sizes 2" - 16"
Class 600 - 2500



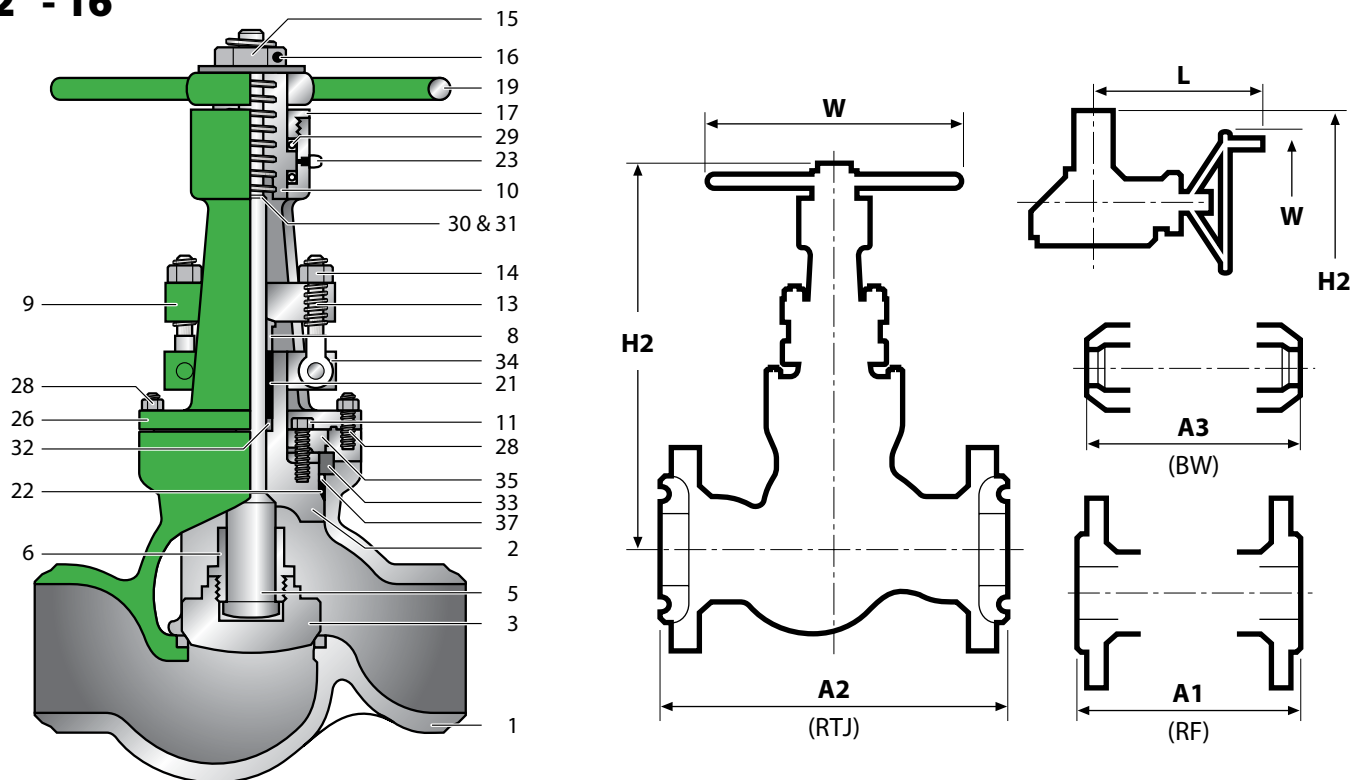
Design and Manufacturing Standards

Basic Design	ANSI B 16.34
Face to Face Dimension	ANSI B16.10
Flange End Dimension	ANSI B16.5
Butt-Weld End Dimension	ANSI B16.25
Inspection & Testing	API 598



Carbon & Stainless Steel Pressure Seal Globe Valves Class 600 - 2500

2" - 16"



BILL OF MATERIAL

NO	NAME OF PART	ASTM SPECIFICATION						
		CARBON STEEL	HIGH TEMPERATURE SERVICE			LOW TEMPERATURE SERVICE	STAINLESS STEEL	
1	BODY	A216-WCB	A217-WC6	A217-WC9	A217-C5	A352-LCB/LC2/LC3	CF8M	CF8C
2	BONNET	A216-WCB	A217-WC6	A217-WC9	A217-C5	A352-LCB/LC2/LC3	CF8M	CF8C
3	DISC	A217-CA15	A217-WC6	A217-WC9	A217-C5	A352-LCB/LC2/LC3	CF8M	CF8C
5	STEM	A182-F6Q	A182-F60	A182-F60	A182-F60	A182-F304	F316	F347
6	DISC GLAND	A217-CA15	A217-CA15	A217-CA15	A217-CA15	A182-F304	F316	F347
8	PACKING GLAND	A276-410	A276-410	A276-410	A276-410	A276-304	F316	F347
9	GLAND FLANGE	A105	A105	A105	A105	A360-LF2	CF8M	CF8C
10	YOKE SLEEVE	A439-D2C	A439-D2C	A439-D2C	A439-D2C	A147-B8	F316	F347
11	BONNET BOLT	A193-B7	A193-B16	A193-B16	A193-B16	A320-L7	A193-B8	A193-B8
13	GLAND BOLT	A193-B7	A193-B7	A193-B7	A193-B7	A320-L7	A193-B8	A193-B8
14	GLAND NUT	A194-2H	A194-2H	A194-2H	A194-2H	A194-4	A194-8	A194-8
15	HANDLE NUT	STEEL						
16	SET SCREW	STEEL						
19	HANDWHEEL	A395						
21	PACKING	COMMERCIAL						
22	GASKET	COMMERCIAL						
26	YOKE	A216-WCB	A216-WC6	A216-WC9	A216-C5	A352-LCB/LC2/LC3	CF8M	CF8C
27	YOKE BOLT	A193-B7	A193-B16	A193-B16	A193-B16	A320-L7	A193-B8	A193-B8
28	YOKE NUT	A194-2H	A194-4	A194-4	A194-4	A194-4	A194-8	A194-8
30	STOPPER	A283-D						
31	STOPPER PIN	A276-410	A276-410	A276-410	A276-410	A276-304	F316	F347
32	PACKING WASHER	A276-410	A276-410	A276-410	A276-410	A276-304	F316	F347
33	RETAINER	A276-410	A276-410	A276-410	A276-410	A276-304	F316	F347
34	HINGE CLAMP	A216-WCB	A216-WC6	A216-WC9	A216-C5	A352-LCB/LC2/LC3	CF8M	CF8C
35	BONNET CLAMP	A216-WCB	A216-WC6	A216-WC9	A216-C5	A352-LCB/LC2/LC3	CF8M	CF8C
37	GASKET SPACER	A276-410	A276-410	A276-410	A276-410	A276-304	F316	F347

CLASS 600 - CARBON & STAINLESS STEEL PRESSURE SEAL GLOBE VALVES

DIMENSIONS & WEIGHTS

VALVE SIZE	in	2	2.5	3	4	6	8	10	12	14	16
	mm	51	64	76	102	152	203	254	305	356	406
A1 (RF)	in	7.0	8.5	10.0	12.0	18.0	23.0	28.0	32.0	35.0	39.0
	mm	178	216	254	305	457	584	711	813	889	991
A2 (RTJ)	in	11.5	13.0	14.0	17.0	22.0	26.0	31.0	33.0	35.0	39.0
	mm	292	330	356	432	559	660	787	818	889	991
A3 (BW)	in	11.62	13.12	14.12	17.12	22.12	26.12	31.12	33.12	35.12	39.12
	mm	295	333	359	435	562	664	792	841	892	994
H2	in	21.7	24.8	26.8	29.5	45.3	49.2	55.1	61.0	70.9	85.0
	mm	550	630	680	750	1150	1250	1400	1550	1800	2160
W	in	9.8	11.8	11.8	17.7	23.6	18.1	24.0	24.0	24.0	29.9
	mm	250	300	300	450	600	460	610	610	610	760
L	in	-	-				20.2	17.0	20.2	20.2	22.3
	mm	-	-				512	432	512	512	567
WGT (RF)	lb	99.2	121.2	187.4	297.7	672.5	1367.1	2888.6	4189.5	5997.6	6945.8
	kg	45	55	85	135	305	620	1310	1900	2720	3150
WGT (BW)	lb	77.2	99.2	132.3	209.5	507.2	1190.7	2535.8	3792.6	5578.7	6394.5
	kg	35	45	60	95	230	540	1150	1720	2530	2900

CLASS 900 - CARBON & STAINLESS STEEL PRESSURE SEAL GLOBE VALVES

DIMENSIONS & WEIGHTS

VALVE SIZE	in	2	2.5	3	4	6	8	10	12	14	16
	mm	51	64	76	102	152	203	254	305	356	406
A1 (RF)	in	14.5	16.5	15.0	18.0	24.0	29.0	33.0	38.0	40.5	44.5
	mm	368	419	381	457	610	737	838	965	1029	1130
A2 (BW)	in	8.5	10	12	14	20	26	31	36	39	43
	mm	216	254	305	356	508	660	787	914	991	1092
A3 (RTJ)	in	14.62	16.62	15.12	18.12	24.12	29.12	33.12	38.12	40.88	44.88
	mm	371	422	384	460	613	740	841	968	1038	1140
H2	in	24.4	25.3	28.4	33.5	48.2	53.1	61.0	68.9	78.7	90.9
	mm	619	641	721	850	1225	1350	1550	1750	2000	2310
W	in	15.7	15.7	15.7	19.7	24.0	24.0	24.0	24.0	29.9	29.9
	mm	400	400	400	500	610	610	610	610	760	760
L	in	-	-	-	-	20.2	17.0	20.2	20.2	22.3	22.3
	mm	-	-	-	-	512	432	512	512	567	567
WGT (RF)	lb	176.4	242.6	231.5	374.9	926.1	2205.0	3792.6	5071.5	7386.8	8820.0
	kg	80	110	105	170	420	1000	1720	2300	3350	4000
WGT (BW)	lb	121.3	176.4	176.4	286.7	793.8	1984.5	3351.6	4520.3	6725.3	7938.0
	kg	55	80	80	130	360	900	1520	2050	3050	3600

CLASS 1500 - CARBON & STAINLESS STEEL PRESSURE SEAL GLOBE VALVES

DIMENSIONS & WEIGHTS

VALVE SIZE	in	2	2.5	3	4	6	8	10	12	14
	mm	51	64	76	102	152	203	254	305	356
A1 (RF)	in	14.5	16.5	18.5	21.5	27.75	32.75	39.0	44.5	49.5
	mm	368	419	470	546	705	832	991	1130	1257
A2 (BW)	in	8.5	10	12	16	22	28	34	39	42
	mm	216	254	305	406	559	711	864	991	1057
A3 (RTJ)	in	14.62	16.62	18.62	21.62	28.0	33.13	39.38	45.12	50.25
	mm	371	422	473	549	711	841	1000	1146	1276
H2	in	24.4	25.2	32.9	33.7	48.4	70.9	78.7	91.0	105.9
	mm	619	641	835	857	1230	1800	2000	2311	2691
W	in	15.7	15.7	19.7	19.7	24.0	24.0	29.9	29.9	29.9
	mm	400	400	500	500	610	610	760	760	760
L	in	-	-	-	-	20.2	20.2	20.2	20.2	22.3
	mm	-	-	-	-	512	512	512	512	567
WGT (RF)	lb	176.4	242.6	299.9	496.1	1433.3	3704.4	5909.4	7497.0	9481.5
	kg	80	110	136	225	650	1680	2680	3400	4300
WGT (BW)	lb	121.3	176.4	209.5	352.8	1146.6	3153.2	5027.4	6240.2	7938.0
	kg	55	80	95	160	520	1430	2280	2830	3600

CLASS 2500 - CARBON & STAINLESS STEEL PRESSURE SEAL GLOBE VALVES

DIMENSIONS & WEIGHTS

VALVE SIZE	in	2	2.5	3	4	6	8	10	12
	mm	51	64	76	102	152	203	254	305
A1 (RF)	in	17.75	20.0	22.75	26.5	36.0	40.25	50.0	56.0
	mm	451	508	578	673	914	1022	1270	1422
A2 (BW)	in	17.75	20.0	22.75	26.5	36.0	40.25	50.0	56.0
	mm	451	508	578	673	914	1022	1270	1422
A3 (RTJ)	in	11	13	14.5	18	24	30	36	41
	mm	279	330	368	457	610	762	914	1041
H2	in	24.3	30.7	31.5	51.2	53.9	85.0	100.0	106.0
	mm	616	781	800	1300	1370	2160	2540	2692
W	in	15.7	19.7	19.7	24.0	24.0	29.9	29.9	29.9
	mm	400	500	500	610	610	760	760	760
L	in	-	-	-	20.2	17.0	22.3	22.3	22.3
	mm	-	-	-	512	432	567	567	567
WGT (RF)	lb	220.5	341.8	463.1	1102.5	2756.3	5292.0	7276.5	9261.0
	kg	100	155	210	500	1250	2400	3300	4200
WGT (BW)	lb	154.4	242.6	308.7	771.8	2094.8	4410.0	5512.5	7276.5
	kg	70	110	140	350	950	2000	2500	3300