

Standard Wedge Gate Valves

Carbon & Stainless Steel

Sizes 2" - 52"

Class 150 - 2500



Design and Manufacturing Standards

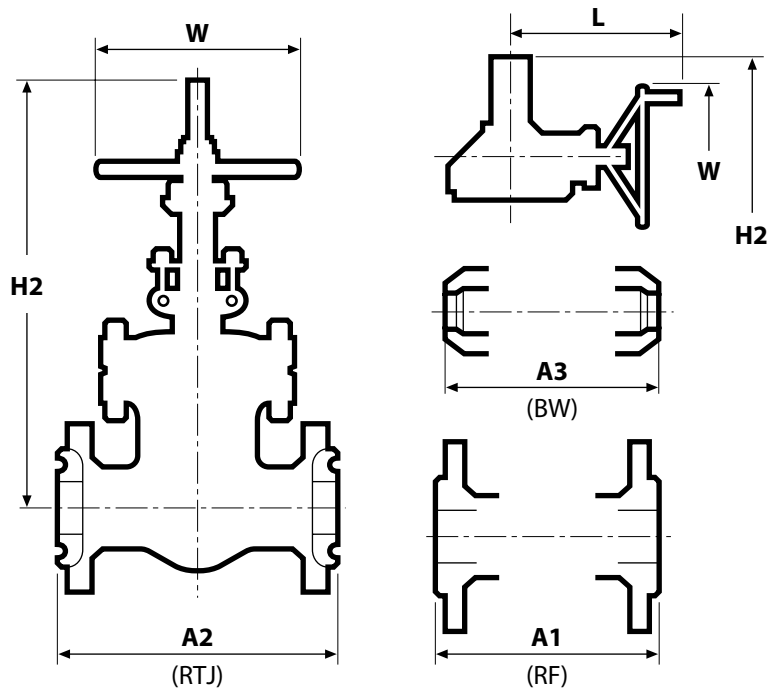
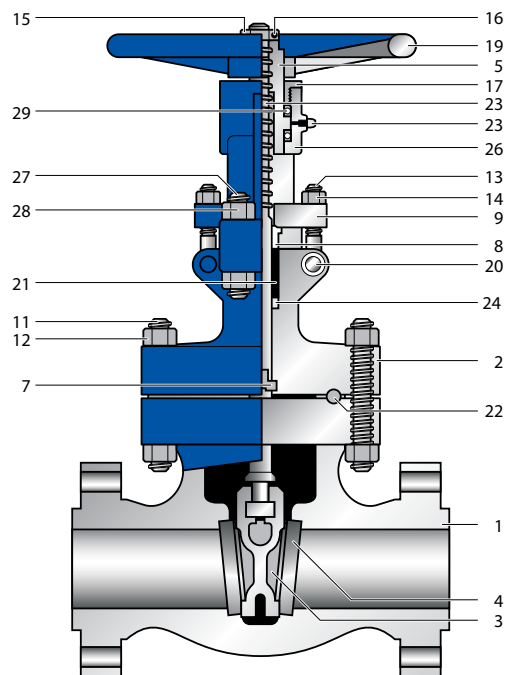
Basic Design	API 600 & ANSI B 16.34
Shell Wall Thickness	API 600
Face to Face Dimension	ANSI B16.10
Flange End Dimension	ANSI B16.5 (2" to 24") MSS SP-44 (26" & up)
Butt-Weld End Dimension	ANSI B16.25
Inspection & Testing	API 598



Carbon & Stainless Steel Wedge Gate Valves

Class 150 - 2500

2" - 52"



BILL OF MATERIAL

NO	NAME OF PART	ASTM SPECIFICATION						
		CARBON STEEL	HIGH TEMPERATURE SERVICE			LOW TEMPERATURE SERVICE	STAINLESS STEEL	
1	BODY	A216-WCB	A217-WC6	A217-WC9	A217-C5	A352-LCB/LC2/LC3	CF8M	CF8C
2	BONNET	A216-WCB	A217-WC6	A217-WC9	A217-C5	A352-LCB/LC2/LC3	CF8M	CF8C
3	DISC	A217-CA15	A217-WC6	A217-WC9	A217-C5	A352-LCB/LC2/LC3	CF8M	CF8C
4	BODY SEAT RING	A105 + HARD FACE	A182-F11	A182-F22	A182-F5a	A182-F304	F316	F347
5	STEM	A182-F60	A182-F60	A182-F6a	A182-F6a	A182-F304	F316	F347
7	BONNET BUSH	A276-410	A276-410	A276-410	A276-410	A276-304	F316	F347
8	PACKING GLAND	A276-410	A276-410	A276-410	A276-410	A276-304	F316	F347
9	GLAND FLANGE	A105	A105	A105	A105	A350-LF2	CF8M	CF8C
10	YOKE SLEEVE	A439-D2C	A439-D2C	A439-D2C	A439-D2C	B147-B8	F316	F347
11	BONNET BOLT	A193-B7	A193-B16	A193-B16	A193-B16	A320-L7	A193-B8	A193-B8
12	BONNET NUT	A194-2H	A194-4	A194-4	A194-4	A194-4	A194-8	A194-8
13	GLAND BOLT	A193-B7	A193-B7	A193-B7	A193-B7	A320-L7	A193-B8	A193-B8
14	GLAND NUT	A194-2H	A194-2H	A194-2H	A194-4	A194-2H	A194-8	A194-8
15	HANDLE NUT	STEEL						
16	SET SCREW	STEEL						
17	SLEEVE GLAND	STEEL						
19	HANDWHEEL	A395						
20	HINGE PIN	A276-410	A276-410	A276-410	A276-410	A276-304	F316	F347
21	PACKING	COMMERCIAL						
22	GASKET	COMMERCIAL						
23	GREASE NIPPLE	STEEL					BRONZE	BRONZE
24	LANTERN	A276-410	A276-410	A276-410	A276-410	A276-304	F316	F347
26	YOKE	A216-WCB	A217-WC6	A217-WC9	A217-C5	A352-LC1/LC2/LC3	CF8M	CF8C
27	YOKE BOLT	A193-B7	A193-B16	A193-B16	A193-B16	A320-L7	A193-B8	A193-B8
28	YOKE NUT	A194-2H	A194-4	A194-4	A194-4	A194-4	A194-8	A194-8
29	BEARING	COMMERCIAL						

CLASS 150 - CARBON & STAINLESS STEEL WEDGE GATE VALVES

DIMENSIONS & WEIGHTS

VALVE SIZE	in	2	2.5	3	4	6	8	10	12	14	16	18	20	24	28	30	36	40	42	48	52
	mm	51	64	76	102	152	203	254	305	356	406	457	508	610	711	762	914	1016	1067	1219	1321
A1 (RF)	in	7.0	7.5	8.0	9.0	10.5	11.5	13.0	14.0	15.0	16.0	17.0	18.0	20.0	24.0	24.0	28.0	30.0	31.0	34.0	36.0
	mm	178	190	203	229	267	292	330	356	381	406	432	457	508	610	610	711	762	813	864	914
A2 (BW)	in	8.5	9.5	11.12	12.0	15.87	16.5	18.0	19.75	22.5	24.0	26.0	28.0	32.0	36.0	36.0	40.0	42.0	43.0	46.0	54
	mm	216	241	283	305	403	419	457	502	572	610	660	711	813	914	914	1016	1067	1092	1168	1372
A3 (RTJ)	in	7.0	7.5	8.0	9.0	10.5	11.5	13.0	14.0	15.0	16.0	17.0	18.0	20.0	24.0	24.0	28.0	30.0	31.0	34.0	36.0
	mm	178	190	203	229	267	292	330	356	381	406	432	457	508	610	610	711	762	813	864	914
H2	in	15.4	16.7	18.1	22.8	30.6	38.4	46.4	54.6	60.0	68.7	79.1	91.7	109.6	127.4	134.5	161.8	183.9	174.4	217.5	227
	mm	390	425	461	580	776	976	1178	1387	1523	1745	2010	2330	2784	3236	3417	4109	4670	4430	5525	5766
W	in	7.9	7.9	7.9	9.8	11.8	14.0	17.7	17.7	19.7	22.0	13.8	17.7	17.7	22.0	22.0	27.9	31.5	31.5	35.4	35.4
	mm	200	200	200	250	300	355	450	450	500	560	350	450	450	560	560	710	800	800	900	900
L	in	-	-	-	-	-	-	-	-	-	-	13.1	14.3	14.3	16.3	16.3	18.4	20.7	20.7	26.4	26.4
	mm	-	-	-	-	-	-	-	-	-	-	332	362	362	414	414	468	526	526	670	670
WGT (RF)	lb	48.5	55.1	66.2	99.2	187	295.5	445	639	816	1177	1475	1786	3153	4558	4827	7856	10370	10143	15677	18742
	kg	22	25	30	45	85	134	202	290	370	534	669	810	1430	2067	2189	3563	4703	4600	7110	8500
WGT (BW)	lb	44.1	46.3	61.7	92.6	161	244	399	584	750	1111	1365	1697	3336	4756	4981	8011	10436	10198	15545	18853
	kg	20	21	28	42	73	111	181	265	340	504	619	770	1513	2157	2259	3633	4733	4625	7050	8550

CLASS 300 - CARBON & STAINLESS STEEL WEDGE GATE VALVES

DIMENSIONS & WEIGHTS

VALVE SIZE	in	2	2.5	3	4	6	8	10	12	14	16	18	20	24	28	30	36	40	42	48
	mm	51	64	76	102	152	203	254	305	356	406	457	508	610	711	762	914	1016	1067	1219
A1 (RF)	in	8.5	9.5	11.12	12.0	15.88	16.5	18.0	19.75	30.0	33.0	36.0	39.0	45.0	53.0	55.0	68.0	76.0	78.0	87.2
	mm	178	241	283	305	403	419	457	502	762	838	914	991	1143	1346	1397	1727	1930	1981	2215
A2 (RTJ)	in	9.12	10.12	11.75	12.62	16.5	17.12	18.62	20.37	30.62	33.62	36.62	39.75	45.88	54.0	56.0	69.12	-	-	-
	mm	232	257	298	321	419	435	473	518	778	854	930	1010	1165	1372	1422	1756	-	-	-
A3 (BW)	in	8.5	9.5	11.12	12.0	15.88	16.5	18.0	19.75	30.0	33.0	36.0	39.0	45.0	53.0	55.0	68.0	76.0	78.0	87.2
	mm	178	241	283	305	403	419	457	502	762	838	914	991	1143	1346	1397	1727	1930	1981	2215
H2	in	16.2	17.7	19.0	23.7	32.0	40.2	48.8	56.8	66.1	78.4	85.9	93.5	112.6	130.0	148.5	169.8	188.6	198.1	217.4
	mm	412	450	483	601	813	1020	1239	1443	1679	1993	2181	2376	2860	3302	3772	4312	4791	5032	5522
W	in	7.9	7.9	5.8	9.8	14.0	15.7	17.7	19.7	17.7	17.7	22.0	22.0	27.9	35.4	35.4	30.0	30.0	30.0	30.0
	mm	200	200	224	250	355	400	450	500	450	450	560	560	710	900	900	760	760	760	760
L	in	-	-	-	-	-	-	-	-	14.3	14.3	16.3	16.3	18.4	21.8	21.8	21.8	20.2	20.2	20.2
	mm	-	-	-	-	-	-	-	-	362	362	414	414	468	554	554	554	512	512	512
WGT (RF)	lb	63.9	88.2	105.8	163.2	313.1	485.1	721.0	1094	1530	2170	2880	3409	5204	8070.3	9591.6	15104.3	18654.3	20947.5	27342
	kg	29	40	48	74	142	220	327	496	694	984	1306	1546	2360	3660	4350	6850	8460	9500	12400
WGT (BW)	lb	52.9	77.2	81.6	141.1	269.0	379.2	511.6	862	1420	1839	2317	2703	4212	6637.1	7629.3	11003	13582.8	14994	19845
	kg	24	35	37	64	122	172	232	391	644	834	1051	1226	1910	3010	3460	4990	6160	6800	9000

CLASS 600 - CARBON & STAINLESS STEEL WEDGE GATE VALVES

DIMENSIONS & WEIGHTS

VALVE SIZE	in	2	2.5	3	4	6	8	10	12	14	16	18	20	24	28	30	36	40	42
	mm	51	64	76	102	152	203	254	305	356	406	457	508	610	711	762	914	1016	1067
A1 (RF)	in	11.5	13.0	14.0	17.0	22.0	26.0	31.0	33.0	35.0	39.0	43.0	47.0	55.0	61.0	65.0	82.0	94.0	98.0
	mm	292	330	356	432	559	660	787	838	889	991	1092	1194	1397	1594	1651	2083	2387	2489
A2 (RTJ)	in	11.62	13.12	14.12	17.12	22.12	26.12	31.12	33.12	35.12	39.12	43.12	47.25	55.38	61.5	65.5	82.62	-	-
	mm	295	333	359	435	562	660	790	841	892	994	1095	1200	1407	1562	1664	2098	-	-
A3 (BW)	in	11.5	13.0	14.0	17.0	22.0	26.0	31.0	33.0	35.0	39.0	43.0	47.0	55.0	61.0	65.0	82.0	94.0	98.0
	mm	292	330	356	432	559	660	787	838	889	991	1092	1194	1397	1594	1651	2083	2387	2489
H2	in	18.5	19.5	22.1	26.7	37.2	43.7	52.1	65.9	72.1	82.9	98.0	104.8	116.9	140.2	152.8	179.5	207.6	240.0
	mm	471	495	561	677	944	1110	1323	1675	1832	2106	2489	2662	2970	3562	3880	4560	5273	6098
W	in	8.8	8.8	9.8	11.8	17.7	19.7	24.8	22.0	22.0	27.9	27.9	31.5	35.4	30.0	30.0	30.0	30.0	30.0
	mm	224	224	250	300	450	500	630	560	560	710	710	800	900	760	760	760	760	760
L	in	-	-	-	-	-	-	-	16.3	16.3	18.4	18.4	20.7	26.4	20.2	20.2	20.2	20.2	20.2
	mm	-	-	-	-	-	-	-	414	414	468	468	526	670	512	512	512	512	512
WGT (RF)	lb	94.8	132.3	154.4	295.5	628	988	1499	2355	2836	4059	5700	6853	10337	13340.6	15313.7	21476.7	23262.8	24144.8
	kg	43	60	70	134	285	448	680	1068	1286	1841	2585	3108	4688	6050	6945	9740	10550	10950
WGT (BW)	lb	61.7	99.2	132.3	229.3	452	690	1180	2145	2571	3332	4741	5640	8595	10980.9	12590.6	17948.7	18830.7	19337.9
	kg	28	45	60	104	205	313	535	973	1166	1511	2150	2558	3898	4980	5710	8140	8540	8770

CLASS 900 - CARBON & STAINLESS STEEL WEDGE GATE VALVES

DIMENSIONS & WEIGHTS

VALVE SIZE	in	2	2.5	3	4	6	8	10	12	14	16	18	20	24
	mm	51	64	76	102	152	203	254	305	356	406	457	508	610
A1 (RF)	in	14.5	16.5	15.0	18.0	24.0	29.0	33.0	38.0	40.5	44.5	48.0	52.0	61.0
	mm	368	419	381	457	610	734	838	965	1029	1130	1219	1321	1549
A2 (RTJ)	in	14.62	16.62	15.12	18.12	24.12	29.12	33.12	38.12	40.88	44.88	48.5	52.5	61.75
	mm	371	422	384	460	612	740	841	968	1038	1140	1232	1333	1568
A3 (BW)	in	14.5	16.5	15.0	18.0	24.0	29.0	33.0	38.0	40.5	44.5	48.0	52.0	61.0
	mm	368	419	381	457	610	737	838	965	1029	1130	1219	1321	1549
H2	in	21.2	26.4	26.4	30.8	42.4	55.5	67.7	77.4	74.9	80.7	88.8	110.2	124.0
	mm	539	670	672	782	1076	1411	1720	1965	1902	2051	2256	2800	3150
W	in	11.8	11.8	14.0	15.7	22.0	17.7	22.0	22.0	24.0	24.0	30.0	30.0	24.0
	mm	300	300	355	400	560	450	560	560	610	610	760	760	610
L	in	-	-	-	-	-	14.3	16.3	16.3	20.2	20.2	21.8	21.8	20.2
	mm	-	-	-	-	-	362	414	414	512	512	554	554	512
WGT (RF)	lb	181	342	364	384	999	1720	2752	3400	4895.1	6615.0	8533.4	10716.3	16096.5
	kg	82	155	165	174	453	780	1248	1542	2220	3000	3870	4860	7300
WGT (BW)	lb	130	375	287	295	789	1378	2267	2844	4167.5	5655.8	7276.5	8730.3	13494.6
	kg	59	170	130	134	358	625	1028	1290	1890	2565	3300	4050	6120

CLASS 1500 - CARBON & STAINLESS STEEL WEDGE GATE VALVES

DIMENSIONS & WEIGHTS

VALVE SIZE	in	2	2.5	3	4	6	8	10	12	14	16	18	20	24
	mm	51	64	76	102	152	203	254	305	356	406	457	508	610
A1 (RF)	in	14.5	16.5	18.5	21.5	27.75	32.75	39.0	44.5	49.5	54.5	60.5	65.5	76.5
	mm	368	419	470	546	705	832	991	1130	1257	1384	1536	1664	1943
A2 (RTJ)	in	14.62	16.62	18.62	21.62	28.0	33.13	39.38	45.12	50.25	55.38	61.38	66.38	77.62
	mm	371	422	473	549	711	841	1000	1146	1276	1406	1559	1686	1972
A3 (BW)	in	14.5	16.5	18.5	21.5	27.75	32.75	39.0	44.5	49.5	54.5	60.5	65.5	76.5
	mm	368	419	470	546	705	832	991	1130	1257	1384	1536	1664	1943
H2	in	21.2	26.4	29.1	30.8	47.1	60.8	66.5	82.3	85.1	97.9	108.7	122.1	146.5
	mm	539	670	738	783	1196	1546	1688	2090	2162	2486	2762	3102	3721
W	in	11.8	11.8	15.7	19.7	13.8	22.0	27.9	27.9	30.0	30.0	30.0	24.0	24.0
	mm	300	300	400	500	350	560	710	710	760	760	760	610	610
L	in	-	-	-	-	13.1	16.3	18.4	18.4	21.8	21.8	21.8	20.2	20.2
	mm	-	-	-	-	332	414	468	468	554	554	554	512	512
WGT (RF)	lb	181	341.8	401	573	1360	3175	4412	8414	9073.6	15324.8	19845	24541.7	35875.4
	kg	82	155	182	260	617	1440	2001	3816	4115	6950	9000	11130	16270
WGT (BW)	lb	130	286.7	324	353	975	2646	3541	7080	7056	13230	17066.7	21079.8	30362.9
	Kg	59	130	147	160	442	1200	1606	3211	3200	6000	7740	9560	13770

CLASS 2500 - CARBON & STAINLESS STEEL WEDGE GATE VALVES

DIMENSIONS & WEIGHTS

VALVE SIZE	in	2	2.5	3	4	6	8	10	12
	mm	51	64	76	102	152	203	254	305
A1 (RF)	in	17.75	20.0	22.75	26.5	36.0	40.25	50.0	56.0
	mm	451	508	578	673	914	1022	1270	1422
A2 (RTJ)	in	17.87	20.25	23.0	26.8	36.5	40.87	50.88	56.88
	mm	454	514	584	683	927	1038	1292	1445
A3 (BW)	in	17.75	20.0	22.75	26.5	36.0	40.25	50.0	56.0
	mm	451	508	578	673	914	1022	1270	1422
H2	in	24.4	31.9	31.9	42.2	57.1	63.0	82.5	90.2
	mm	619	809	809	1073	1451	1600	2096	2292
W	in	11.8	17.7	17.7	24.8	24.0	24.0	24.0	30.0
	mm	300	450	450	630	610	610	610	760
L	in	-	-	-	-	17.0	20.2	20.2	21.8
	mm	-	-	-	-	432	512	512	554
WGT (RF)	lb	205	331	443	1336	3506	5380.2	10085.7	15831.9
	kg	93	150	201	606	1590	2440	4574	7180
WGT (BW)	lb	128	221	289	1083	2866.5	4410	8379	13230
	kg	58	100	131	491	1300	2000	3800	6000